

Outdoor LP Gas Barbecue Grill

Model No. GBC1748WRSB-C, GBC1748WBSB-C

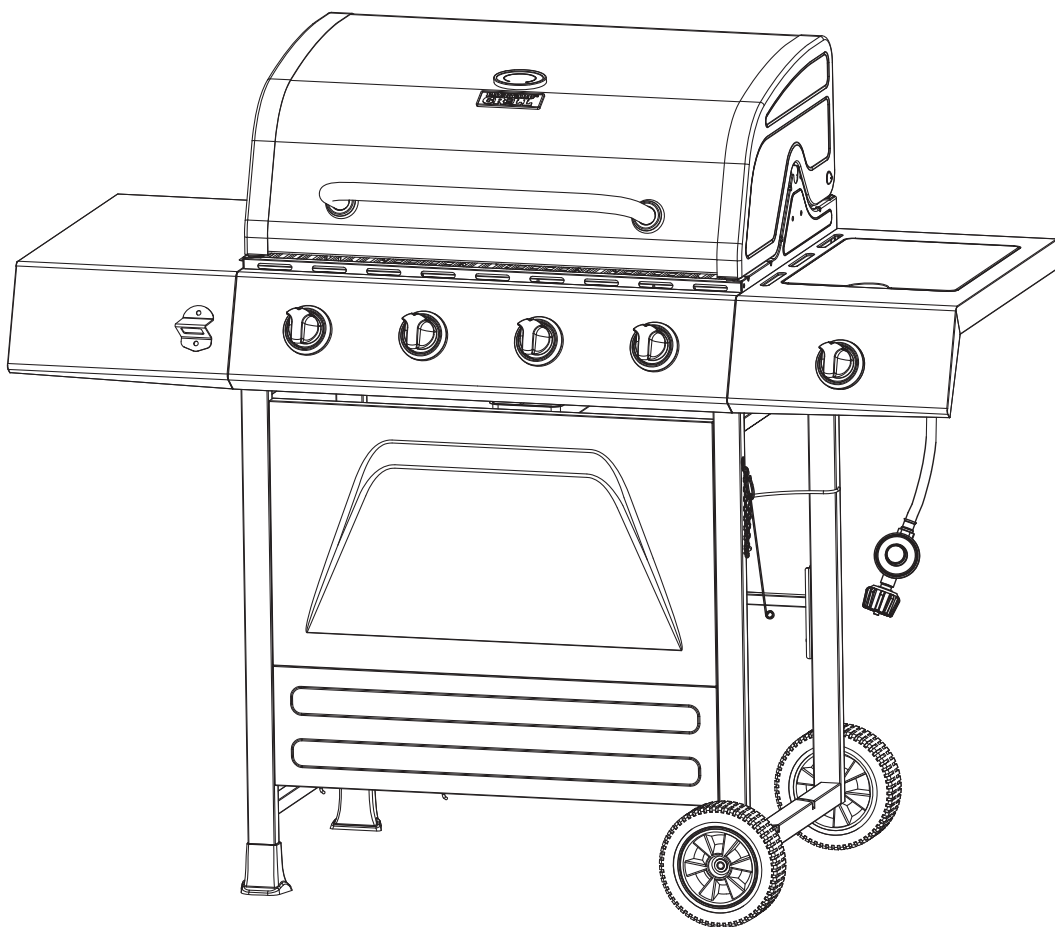


Table of Contents

Important Safeguards	Page 2
Expanded View & Hardware	4
Assembly Instructions	5
Installing LP Gas Tank	10
Installing Natural Gas Line	10
Operating Instructions	10
Cleaning and Care	12
Limited Warranty	13
Troubleshooting	14

The use and installation must conform with local codes or, in the absence of local codes, with either the *National Fuel Gas Code, ANSI Z223.1/NFPA 54, Natural Gas and Propane Installation Code, CSA B149.1, or Propane Storage and Handling Code, B149.2, or the Standard for Recreational Vehicles, ANSI A 119.2/NFPA 1192, and CSA Z240 RV Series, Recreational Vehicle Code, as applicable.*

THIS INSTRUCTION BOOKLET CONTAINS IMPORTANT SAFETY INFORMATION. PLEASE READ AND KEEP FOR FUTURE REFERENCE.

If you are assembling this unit for someone else, give this manual to him or her to read and save for future reference.

If you have questions or need assistance during assembly, please call 1-800-694-0013



WARNING



FOR YOUR SAFETY:

1. Improper installation, adjustment, alteration, service or maintenance can cause injury or property damage.
2. Read the installation, operation, and maintenance instructions thoroughly before installing or servicing this equipment.
3. Failure to follow these instructions could result in fire or explosion, which could cause property damage, personal injury, or death.
4. This instruction manual contains important information necessary for the proper assembly and safe use of the appliance.
5. Read and follow all warnings and instructions before assembling and using the appliance.
6. Follow all warnings and instructions when using the appliance.
7. Keep this manual for future reference.

Natural gas conversion kit (model no. VFK1702W-C) available at Walmart or www.Walmart.ca



WARNING



FOR YOUR SAFETY:

1. Do NOT store or use gasoline or other flammable liquids or vapors in the vicinity of this or any other appliance.
2. An LP cylinder not connected for use shall NOT be stored in the vicinity of this or any other appliance.



DANGER



Never operate this appliance unattended.



DANGER



If you smell gas -

1. Shut off gas to appliance.
2. Extinguish any open flame.
3. Open lid.
4. If odor continues, keep away from the appliance and immediately call your gas supplier or your fire department.



WARNING



FOR YOUR SAFETY:

For Outdoor Use Only
(outside any enclosure)





Important Safeguards Warning



- ▲ This grill is for outdoor use only, and should not be used in a building, garage or any other enclosed area.
- ▲ Do NOT operate, light or use this appliance within ten feet (3.05 m) of walls, structures or buildings.
- ▲ For residential use only. This grill is NOT for commercial use.
- ▲ This grill is not intended for and should never be used as a heater. TOXIC fumes can accumulate and cause asphyxiation.
- ▲ This grill is safety certified for use in the United States and/or Canada only. Do NOT modify for use in any other location. Modification will result in a safety hazard and will void your warranty.
- ▲ This grill, from the factory, is for use with liquid propane (LP) gas only. The conversion to or attempted use of natural gas in this LP gas grill is dangerous, may cause bodily harm and will void your warranty.
- ▲ This grill, from the factory, is for use with LP gas. The natural gas conversion kit model number VFK1702W-C may be used to convert your grill to natural gas. The use of any other conversion kit is dangerous, may cause bodily harm and will void your warranty.
- ▲ LP gas characteristics:
 - a. LP gas is flammable and hazardous if handled improperly. Become aware of the characteristics before using any LP gas product.
 - b. LP gas is explosive under pressure, heavier than air, and settles/pools in low areas.
 - c. LP gas in its natural state has no odor. For your safety, an odorant is added that smells like rotten cabbage.
 - d. Contact with LP gas can cause freeze burns to skin.
- ▲ Natural gas (NG) characteristics:
 - a. NG is flammable and hazardous if handled improperly. Become aware of the characteristics before using any NG product.
 - b. NG is explosive under pressure, heavier than air, and settles/pools in low areas.
 - c. NG in its natural state has no odor. For your safety, an odorant is added that smells like rotten cabbage.
 - d. Contact with NG can cause freeze burns to skin.
- ▲ Apartment dwellers: Check with management to learn the requirements and fire codes for using a LP gas grill in your apartment complex. If allowed, use outside on the ground floor with a ten foot (3.05 m) clearance from any structure. Do NOT use on or under balconies.
- ▲ LP gas cylinder needed to operate. Only cylinders marked “propane” may be used.
- ▲ The LP gas cylinder must be constructed and marked in accordance with the *Specifications for LP-gas Cylinders* of the U.S. Department of Transportation (D.O.T.) or the National Standard of Canada, *CAN/CSA-B339, Cylinders, Spheres and Tubes for the Transportation of Dangerous Goods; and Commission*.
- ▲ LP gas cylinder must be arranged for vapor withdrawal.
- ▲ The LP gas cylinder must have a listed overfilling prevention device (OPD).
- ▲ Only use LP gas cylinders equipped with a cylinder connection device compatible with the connection for outdoor cooking appliances.
- ▲ The LP gas cylinder must have a cylinder collar to protect the cylinder valve.
- ▲ Never use a LP gas cylinder with a damaged body, valve, collar or footing.
- ▲ Dented or rusted LP gas cylinders may be hazardous and should be checked by your LP gas supplier prior to use.
- ▲ The LP gas cylinder should not be dropped or handled roughly.
- ▲ LP gas cylinders must be stored outdoors out of the reach of children and must not be stored in a building, garage or any other enclosed area. Your cylinder must never be stored where temperatures can reach over 125°F.
- ▲ Do NOT insert any tool or foreign object into the valve outlet or safety relief valve. You may damage the valve and cause a leak. Leaking propane may result in an explosion, fire, severe personal injury or death.
- ▲ Do NOT block holes in sides or back of grill.
- ▲ Never keep an LP gas cylinder in a hot car or trunk. Heat will cause the gas pressure to increase, which may open the relief valve and allow gas to escape.
- ▲ Place dust cap on cylinder valve outlet whenever the cylinder is not in use. Only install the type of dust cap on the cylinder valve outlet that is provided with the cylinder valve. Other types of caps or plugs may result in leakage of propane.
- ▲ If grill is not in use, the gas must be turned off at the supply cylinder and disconnected.
- ▲ Do NOT store a spare LP gas cylinder under or near this appliance.
- ▲ Never fill the cylinder beyond 80 percent full.
- ▲ A fire causing serious injury or damage to property may occur if the above is not followed exactly.
- ▲ Never attempt to attach this grill to the self-contained LP gas system of a camper trailer, motor home or house.
- ▲ Never use charcoal, lighter fluid, lava rocks, gasoline, kerosene or alcohol with this product.
- ▲ Your grill has been checked at all factory connections for leaks. Recheck all connections as described in the “Operating Instructions” section, as shipping can loosen connections.
- ▲ Check for leaks even if your unit was assembled for you by someone else.
- ▲ Do NOT operate if a gas leak is present. Gas leaks may cause a fire or explosion.
- ▲ You must follow all instructions in “Checking for Leaks” section before operating. To prevent fire or explosion hazard when testing for a leak:
 - a. Always perform a leak test before lighting the grill and each time the cylinder is connected for use.
 - b. No smoking. Do NOT use or permit sources of ignition in the area while conducting a leak test.
 - c. Conduct the leak test outdoors in a well-ventilated area.
 - d. Do NOT use matches, lighters, or a flame to check for leaks.
 - e. The use of alcohol, prescription or non-prescription drugs may impair the consumer’s ability to properly assemble or safely operate the appliance.
 - f. Strong odors, colds, sinus congestion, etc. may prevent the detection of propane. Use caution and common sense when testing for leaks.
 - g. Do NOT use grill until any and all leaks are corrected.
 LP: If you are unable to stop a leak, disconnect the LP gas supply. Call a gas appliance serviceman or your local LP gas supplier.
 NG: If you are unable to stop a leak, turn off the main valve on the NG supply line. Call a gas appliance serviceman or your local NG supplier.

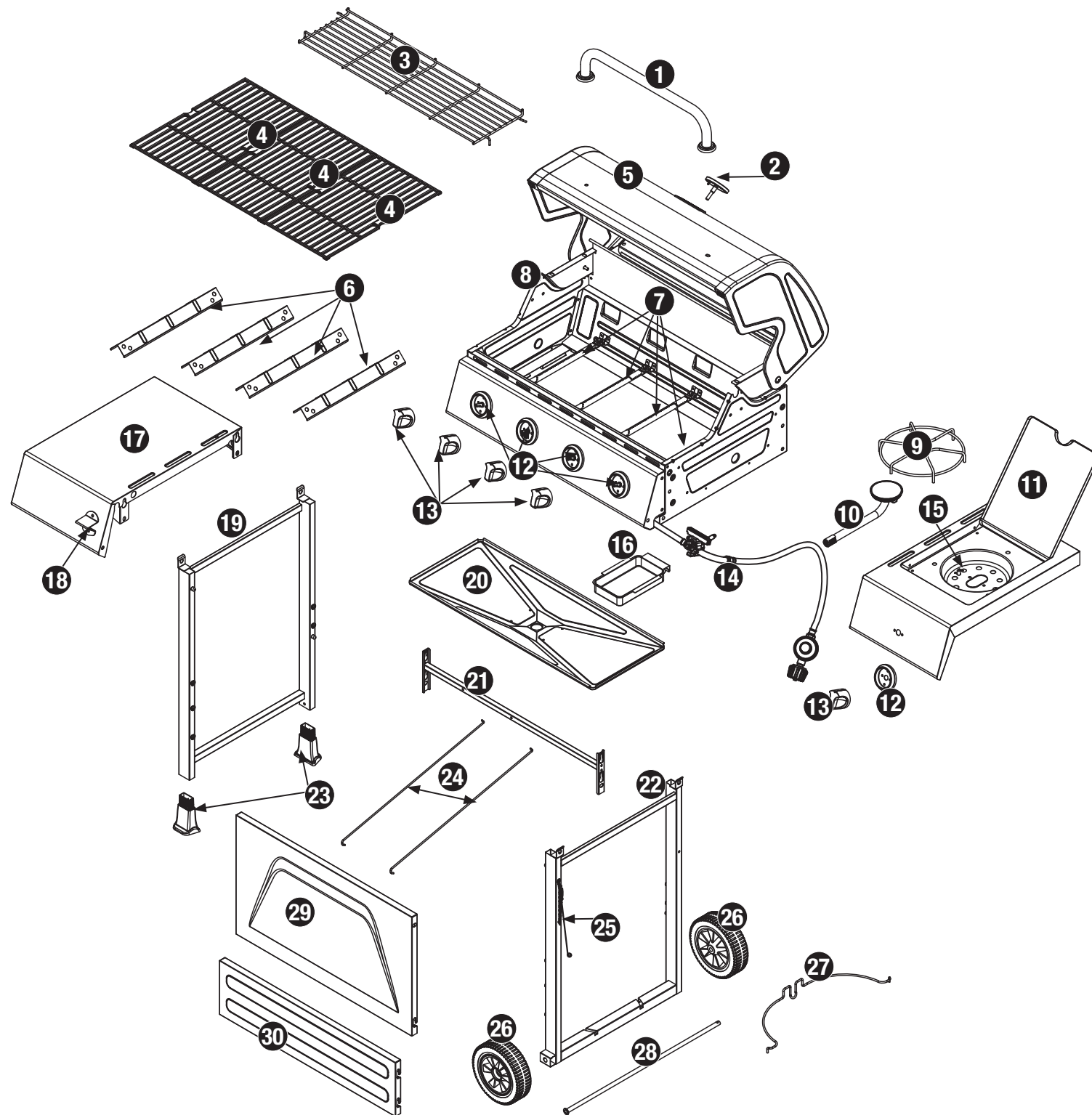


Important Safeguards Warning



- ▲ **NG:** The appliance and its individual shutoff valve must be disconnected from the gas supply piping system during any pressure testing of that system at pressure in excess of ½ psig (3.5 kpa).
- ▲ **NG:** The appliance must be isolated from the gas supply piping system by closing its individual manual shutoff valve during any pressure testing of the gas supply piping system at test pressures equal to or less than ½ psig (3.5 kpa).
- ▲ This grill is designed to operate at an inlet pressure of: LP gas: 11 inches water column; NG: 7 inches water column.
- ▲ Do NOT store or use gasoline or other flammable liquids or vapors within 25 feet (7.62 m) of this appliance.
- ▲ Do NOT use in an explosive atmosphere. Keep grill area clear and free from combustible materials, gasoline and other flammable vapors and liquids.
- ▲ Minimum clearance from sides and back of unit to combustible construction is 36 inches (91.4 cm). Do NOT use this appliance under any type of overhang or roof.
- ▲ It is essential to keep the grill's valve compartment, burners and circulating air passages clean.
- ▲ Inspect grill before each use.
- ▲ Do NOT alter grill in any manner. Any alteration will void your warranty.
- ▲ Do NOT use the grill unless it is COMPLETELY assembled and all parts are securely fastened and tightened.
- ▲ Do NOT build this model of grill in any built-in or slide-in construction. Ignoring this warning could cause a fire or an explosion that can damage property and cause serious bodily injury or death.
- ▲ This grill should be thoroughly cleaned and inspected on a regular basis.
- ▲ Clean and inspect the hose before each use of the appliance. If there is evidence of abrasion, wear, cuts or leaks, the hose must be replaced prior to operation.
- ▲ Use only the regulator and hose assembly provided. Use only the replacement regulator and hose assembly specified by RevoAce Inc. Limited.
- ▲ Use only RevoAce Inc. Limited factory-authorized parts. The use of any part that is not factory-authorized can be dangerous and will void your warranty.
- ▲ Do NOT operate this appliance without reading "Operating Instructions" in this manual.
- ▲ Do NOT touch metal parts of grill until they have completely cooled (about 45 min.) to avoid burns, unless you are wearing protective gear (pot holders, gloves, BBQ mittens, etc.).
- ▲ Do NOT install or use in or on boats or recreational vehicles.
- ▲ When cooking, fire extinguishing materials should be readily accessible. In the event of an oil/grease fire, do NOT attempt to extinguish with water. Use type BC dry chemical fire extinguisher or smother with dirt, sand or baking soda.
- ▲ Do NOT use grill in high winds.
- ▲ Never lean over the grill when lighting.
- ▲ Do NOT leave a lit grill unattended. Keep children and pets away from grill at all times.
- ▲ Do NOT leave grill unattended while preheating or burning off food residue on high. If grill has not been cleaned, a grease fire can occur that may damage the product.
- ▲ Do NOT place empty cooking vessels on the appliance while in operation.
- ▲ Use caution when placing anything on the grill while the appliance is in operation.
- ▲ Do NOT attempt to move grill when in use. Allow the grill to cool before moving or storing.
- ▲ LP gas cylinder must be properly disconnected and removed prior to moving this grill.
- ▲ Storage of grill indoors is permissible only if the cylinder is disconnected, removed from the grill and properly stored outdoors.
- ▲ Always open grill lid carefully and slowly as heat and steam trapped within grill can cause severe burns.
- ▲ Do NOT attempt to disconnect the gas regulator from the cylinder or any gas fitting while the grill is in use.
- ▲ Always place your grill on a hard, non-combustible, level surface. An asphalt or blacktop surface may not be acceptable for this purpose.
- ▲ Move gas hoses as far away as possible from hot surfaces and dripping hot grease.
- ▲ Keep all electrical cords away from a hot grill.
- ▲ After a period of storage and/or nonuse, check for leaks, burner obstructions and inspect for any abrasion, wear or cuts to the hose.
- ▲ Failure to open lid while igniting the grill's burners, or not waiting 5 minutes to allow the gas to clear if the grill does not light, may result in an explosive flame-up.
- ▲ Never operate grill without its heat plates installed.
- ▲ Always use a meat thermometer to ensure food is cooked to a safe temperature.
- ▲ Use protective gloves when assembling this product.
- ▲ Do NOT force parts together as this can result in personal injury or damage to the product.
- ▲ Never cover entire cooking area with aluminum foil.
- ▲ Death, serious injury or damage to property may occur if the above is not followed exactly.

Expanded View



Parts List

1	Lid Handle	G1646-010	11	Right Side Shelf	G1646-080	21	Rear Cart Frame Support	G1646-150
2	Temperature Gauge	B0104-J70	12	Control Knob Bezel (5)*	G1205-090	22	Right Cart Frame	G1646-160
3	Warming Rack	G1646-020	13	Control Knob (5)	G0900-100	23	Foot (2)	G1349-170
4	Cooking Grid (3)	G1646-030	14	Regulator/Hose Assembly*	B0308-A18	24	Cart Frame Support Wire (2)	G1646-180
5	Lid*	G1646-04R	15	Side Burner Electrode*	B0406-001	25	Lighting Rod*	B0223-D04
6	Heat Plate (4)	B0212-005	16	Grease Cup	B0219-H08	26	Wheel (2)	B0302-FA0
7	Burner (4)*	G1646-050	17	Left Side Shelf	G1646-110	27	LP Gas Tank Retainer Wire	G1349-190
8	Grill Body Assembly*	G1748-060	18	Bottle Opener*	G1349-120	28	Axle	G1646-200
9	Side Burner Grid	B0404-D04	19	Left Cart Frame	G1646-130	29	Upper Front Panel	G1646-210
10	Side Burner	G1646-070	20	Grease Tray	G1646-140	30	Lower Front Panel	G1646-220

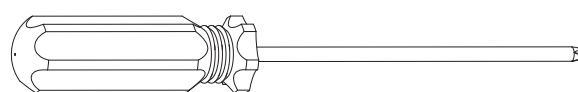
* Pre-assembled

Parts List

A	Screw	ST4.8x10 Nickel Plated Phillips Truss Head	2 pcs
B	Screw	M4x10 Nickel Plated Phillips Truss Head	4 pcs
C	Screw	M6x20 Nickel Plated Phillips Truss Head	2 pcs
D	Bolt	M6x16 Nickel Plated Phillips Hex Head	14 pcs
E	Washer	ø6.4 Nickel Plated	6 pcs
F	Lock Washer	ø6.5 Nickel Plated	6 pcs
G	Plug	Black	1 pc

Tools Required for Assembly (Included)

#2 Phillips Head Screwdriver 1 pc



Assembly Instructions

1 DO NOT RETURN TO PLACE OF PURCHASE.

DO NOT RETURN TO PLACE OF PURCHASE.

For assistance, call **1-800-694-0013** toll-free. Please have your owner's manual and model number available for reference.

Note: The model number is printed on a label which can be found on the inside door, back or side of the cart assembly.

Assembly Tips:

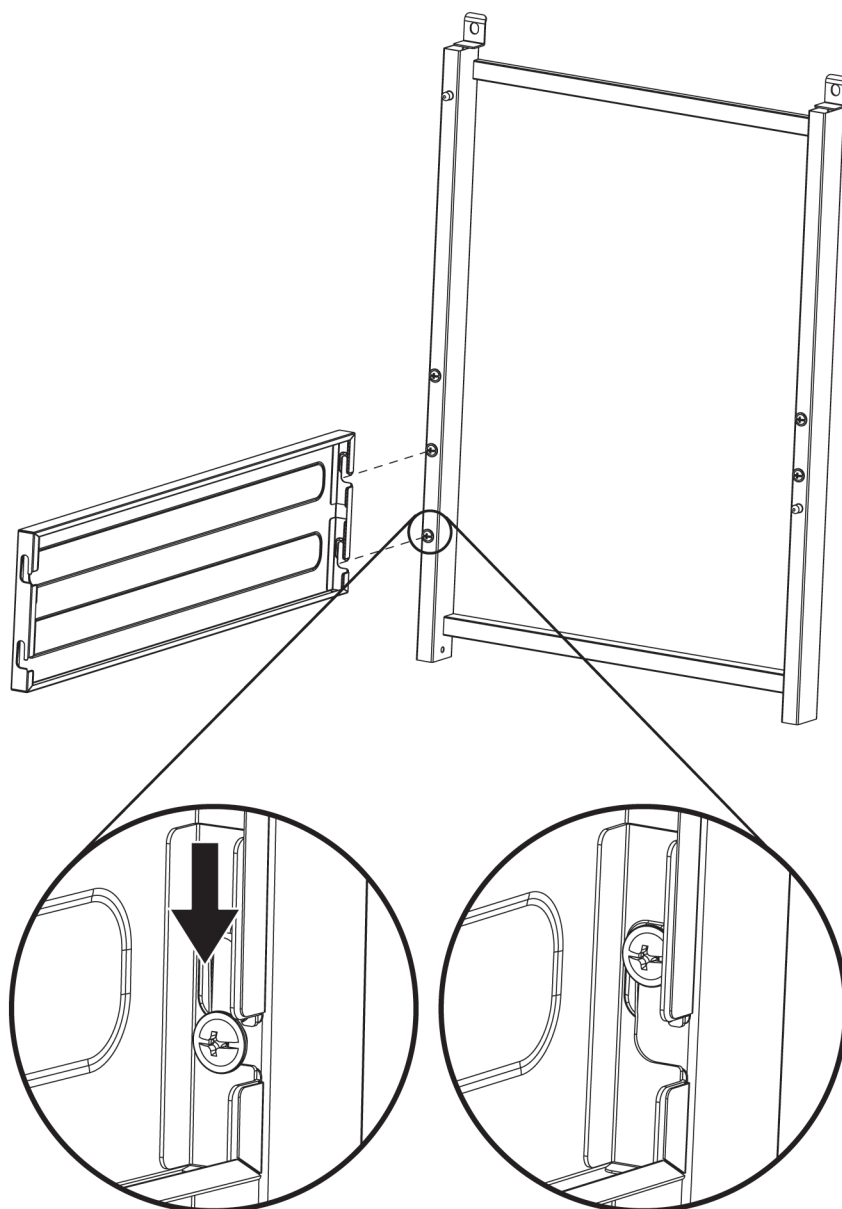
1. Select an area where you will assemble this product. To protect components, choose a smooth surface that's free of cracks or openings.
2. Spread out all parts.
3. Tighten all hardware connections by hand first. Then, before completing each step, go back and fully tighten all hardware. Be careful not to over-tighten. That could damage surfaces or strip threads.
4. For best results, complete each step in the order presented.

To complete assembly you will need:

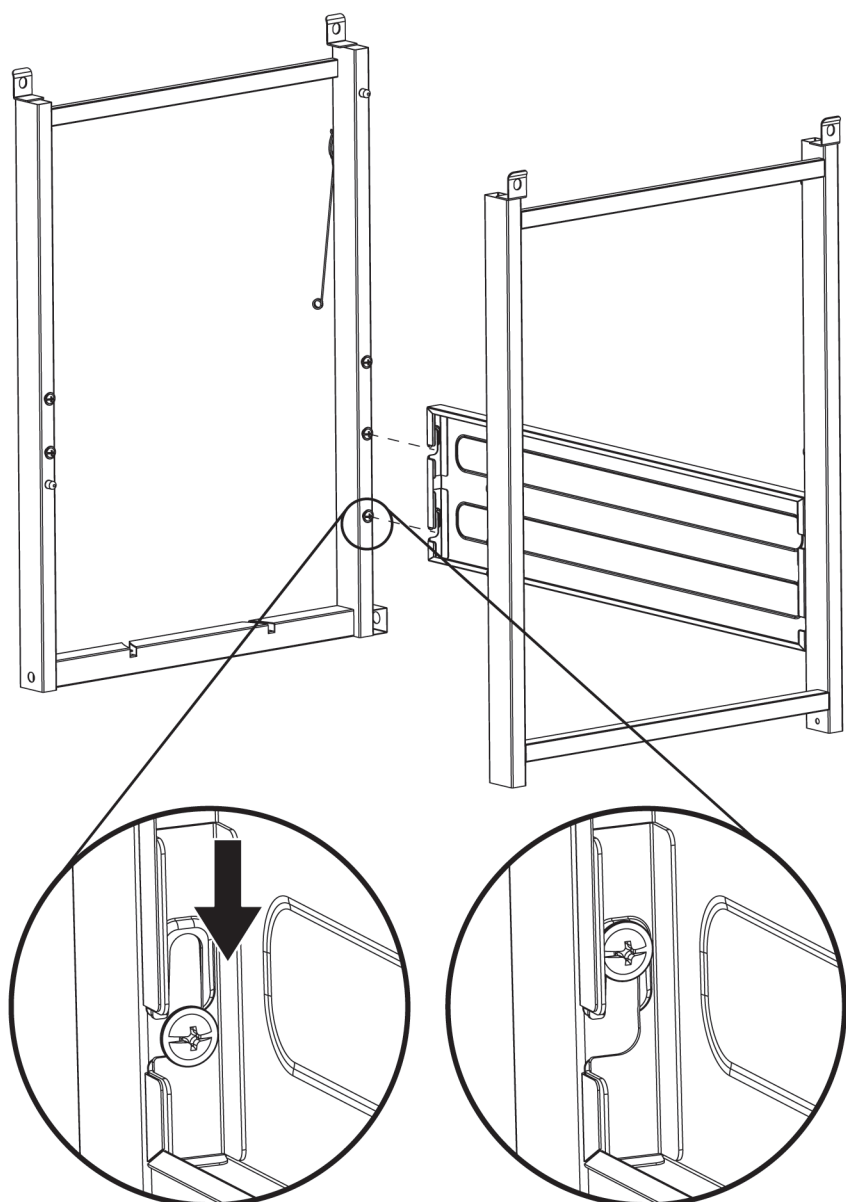
- (1) Leak detection solution (instructions on how to make the solution are included in the "Operating Instructions" section of this manual).
- **LP:** (1) Precision-filled LP gas grill tank with Acme Type 1 external threaded valve connection (standard grill size).
- **NG:** (1) Natural gas conversion kit, model number VFK1002W-C (not included).

Typical assembly is approximately one hour.

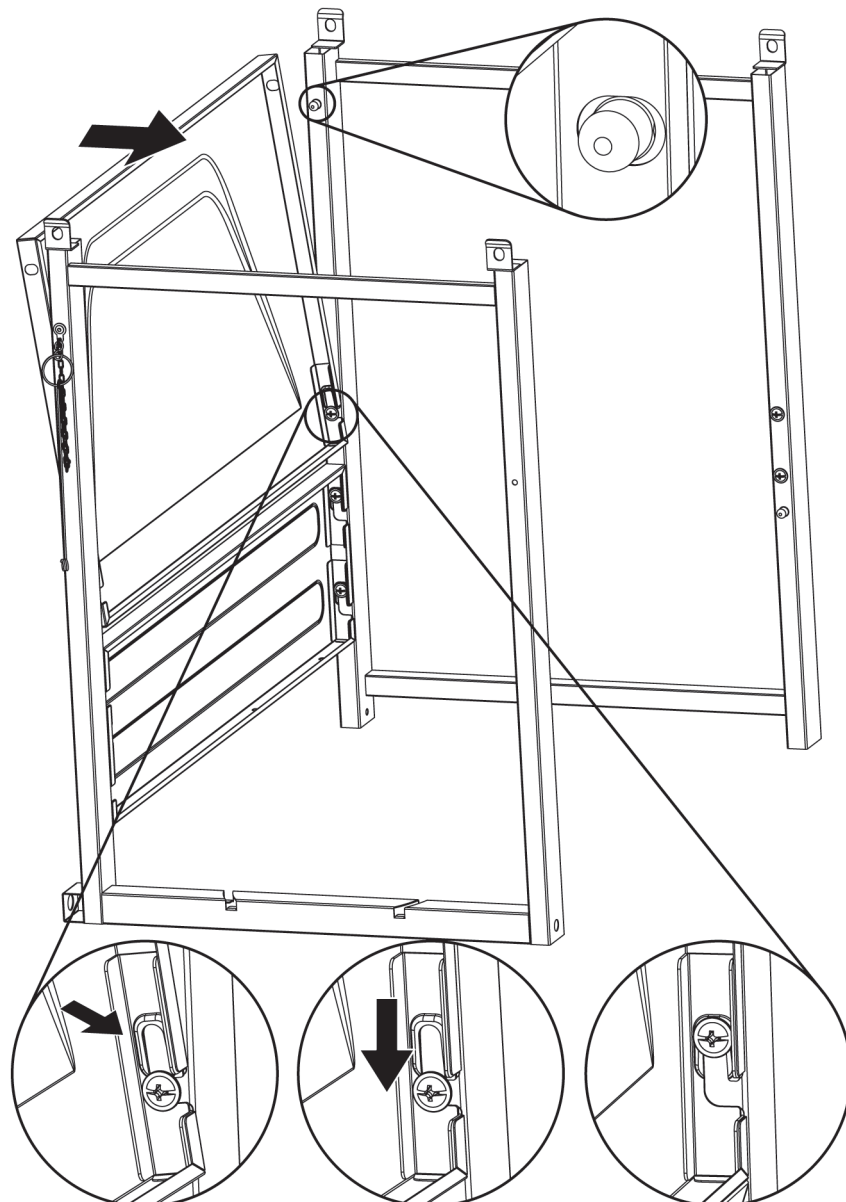
2 Assemble Left Cart Frame



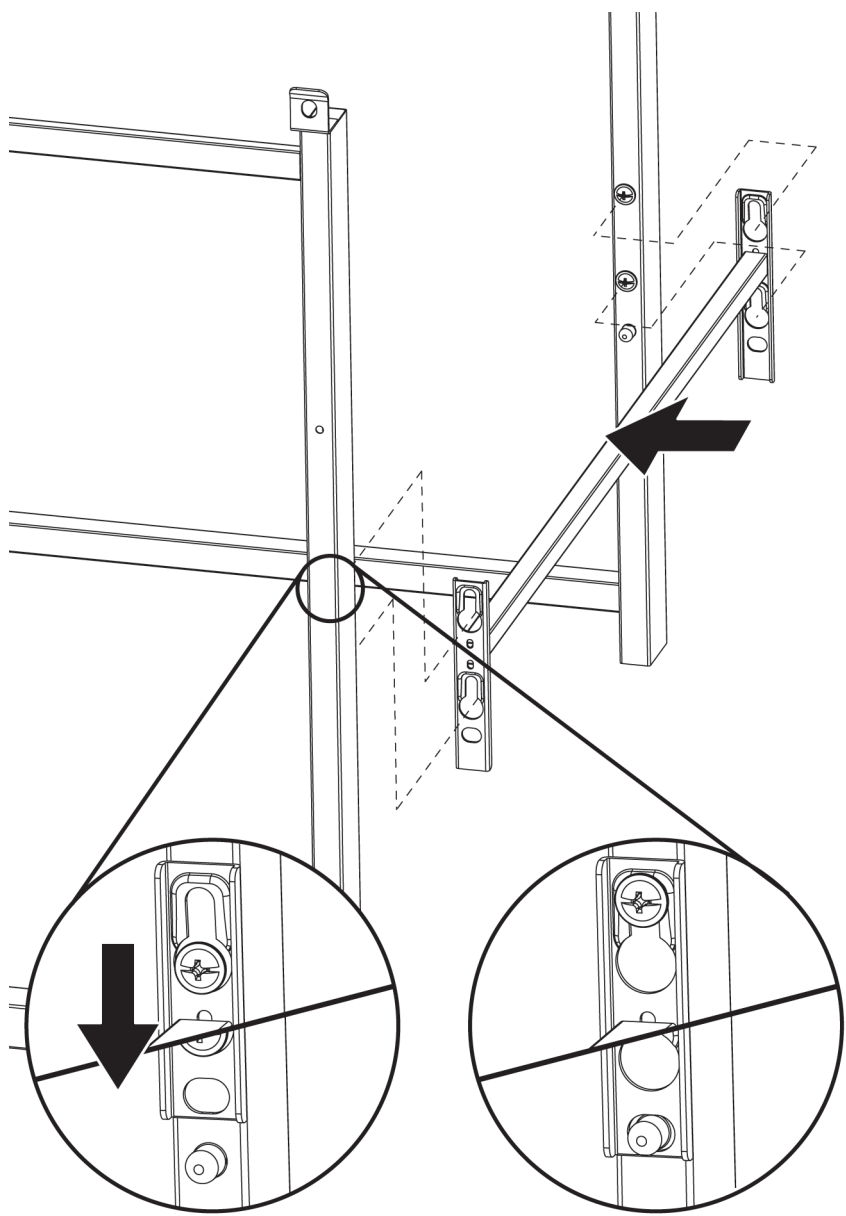
3 Assemble Right Cart Frame



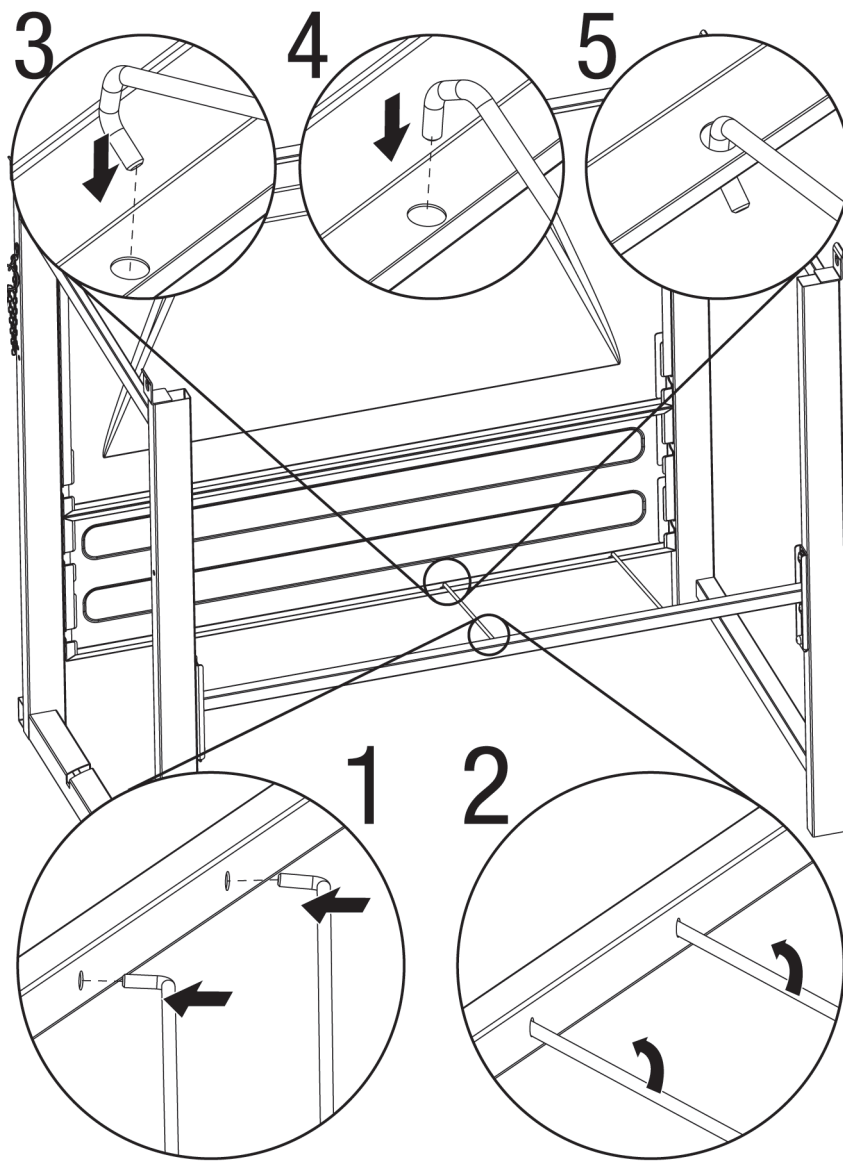
4 Attach Upper Front Panel



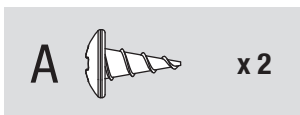
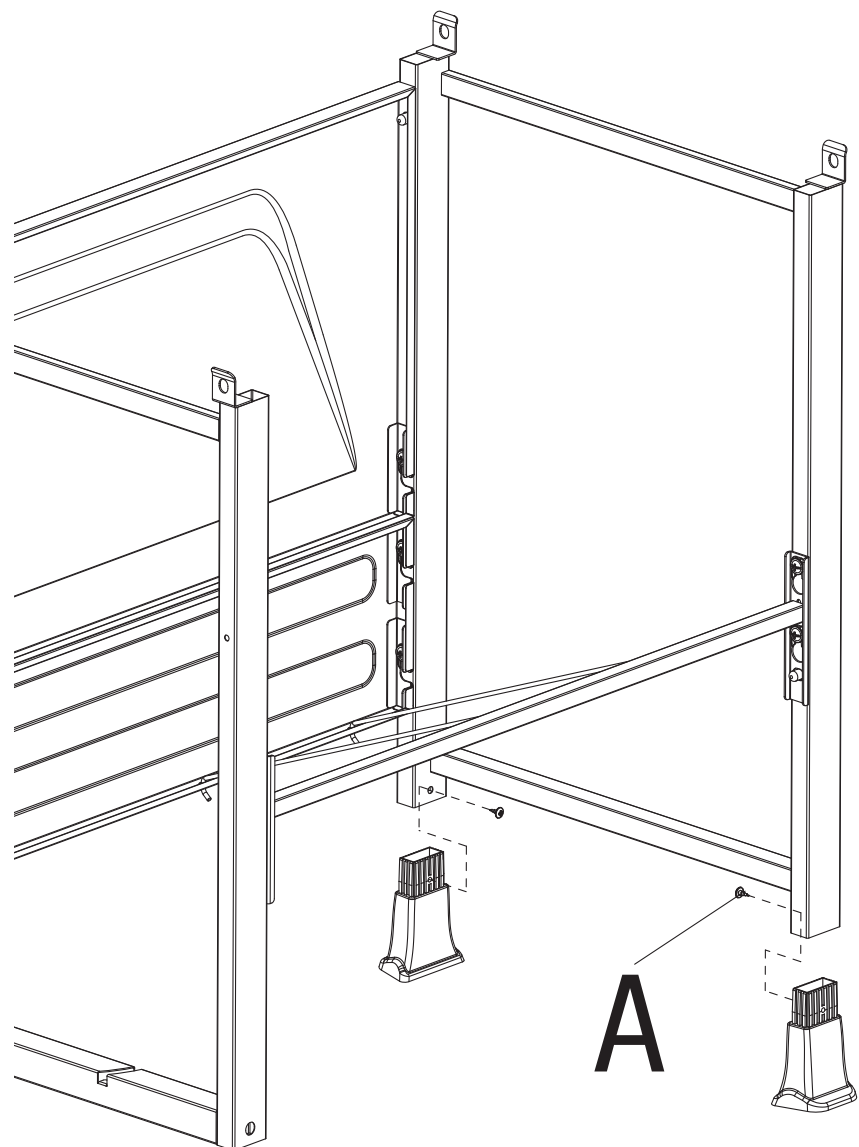
5 Attach Rear Cart Frame Support



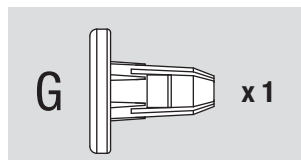
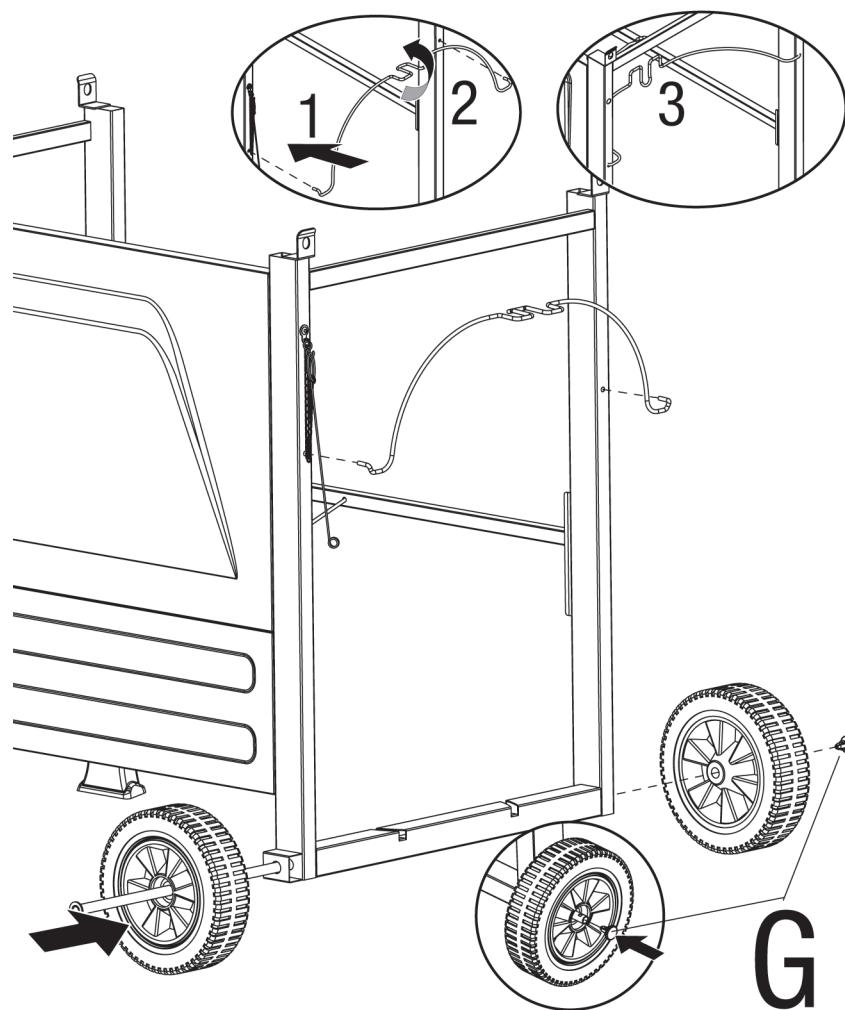
6 Attach Cart Frame Support Wires



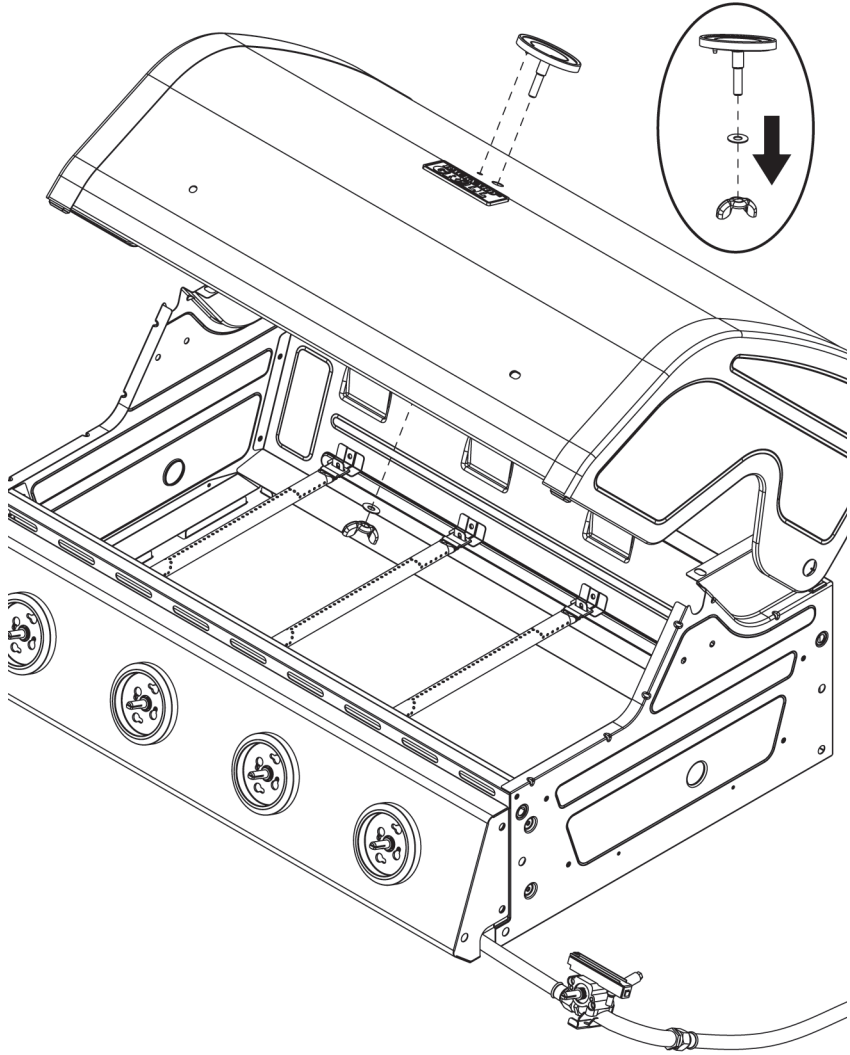
7 Attach Feet and Tighten all Screw from Steps 2-5



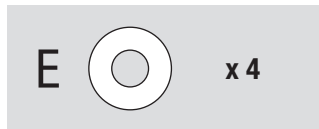
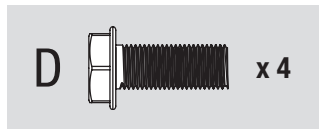
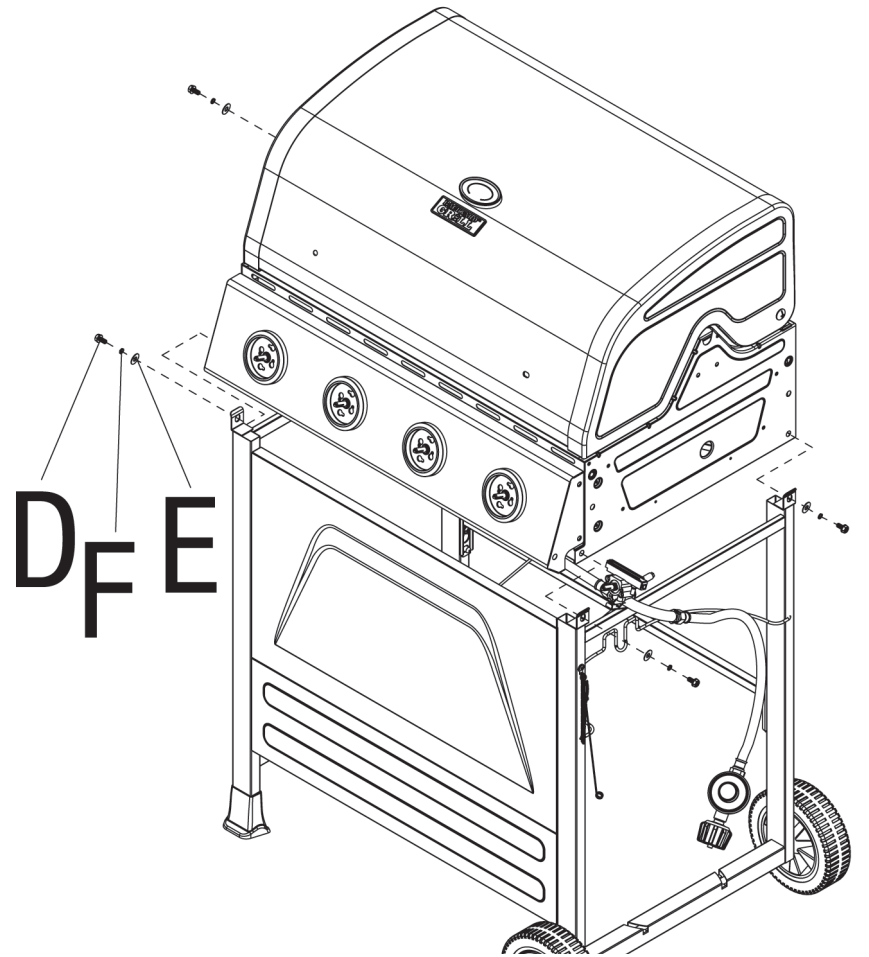
8 Attach LP Gas Tank Retainer Wire, Axle and Wheels



9 Attach Temperature Gauge

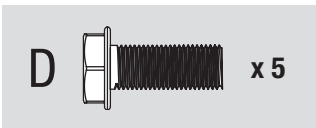
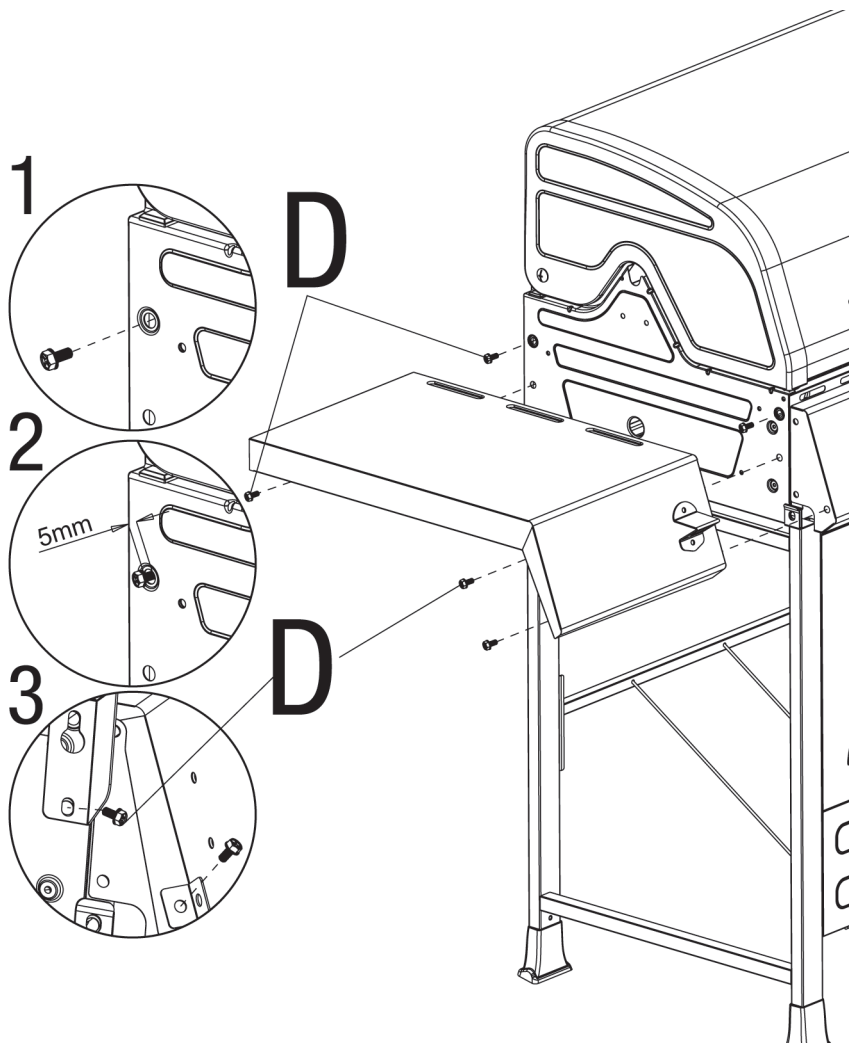


10 Attach Grill Body Assembly



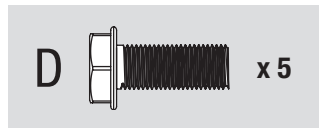
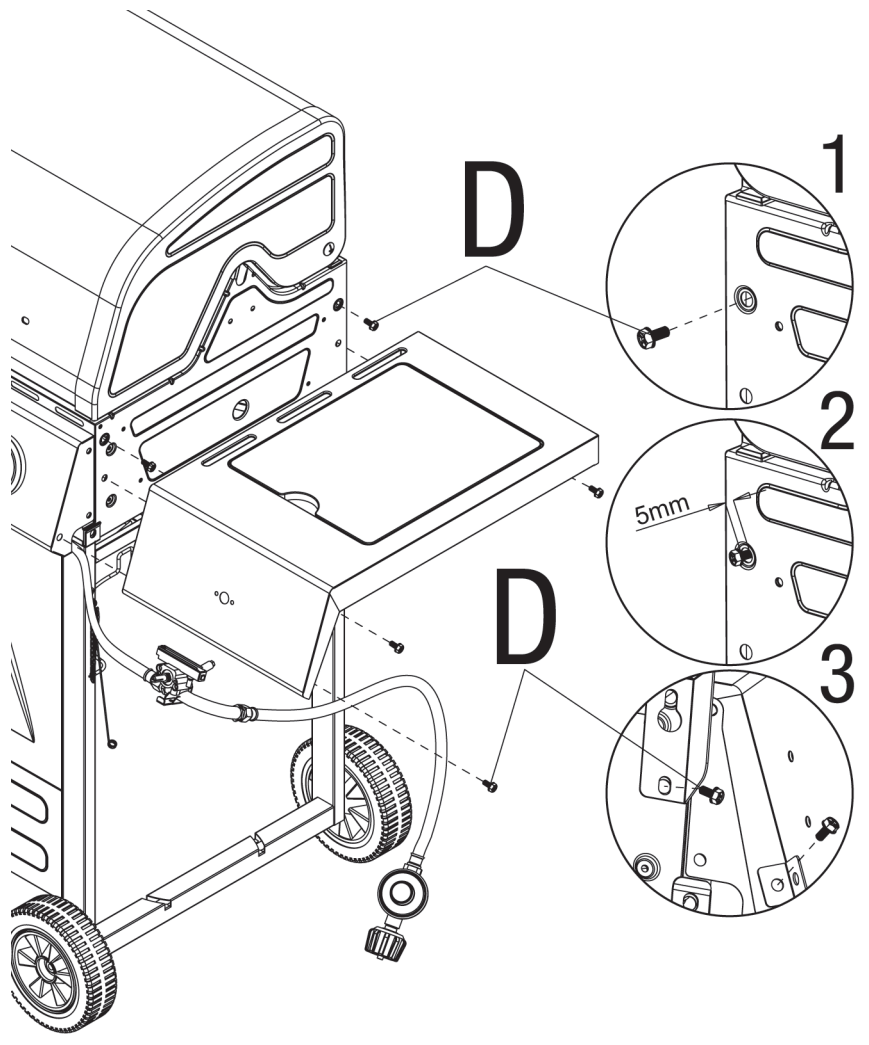
11 Attach Left Side Shelf

Note: Leave 5 mm of bolt threads exposed.

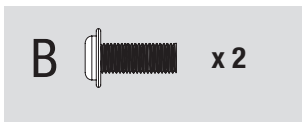
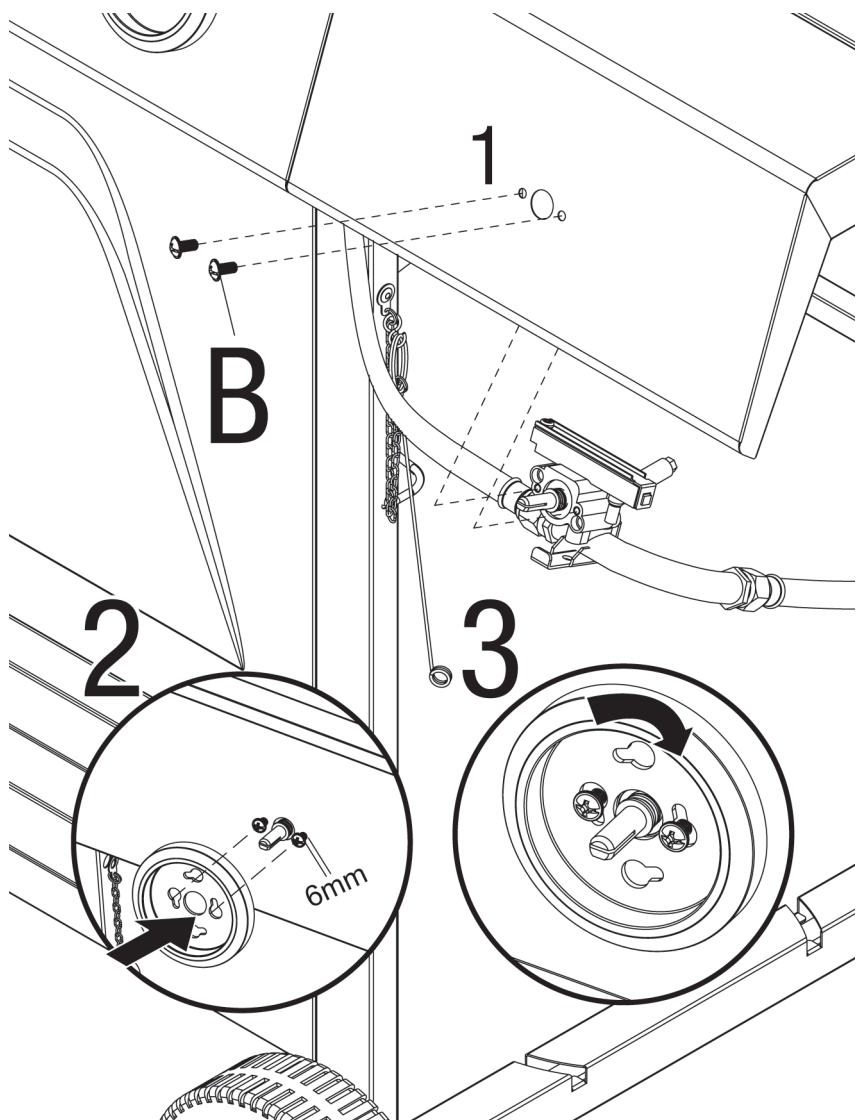


12 Attach Right Side Shelf

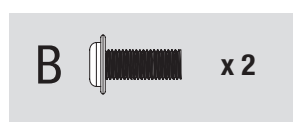
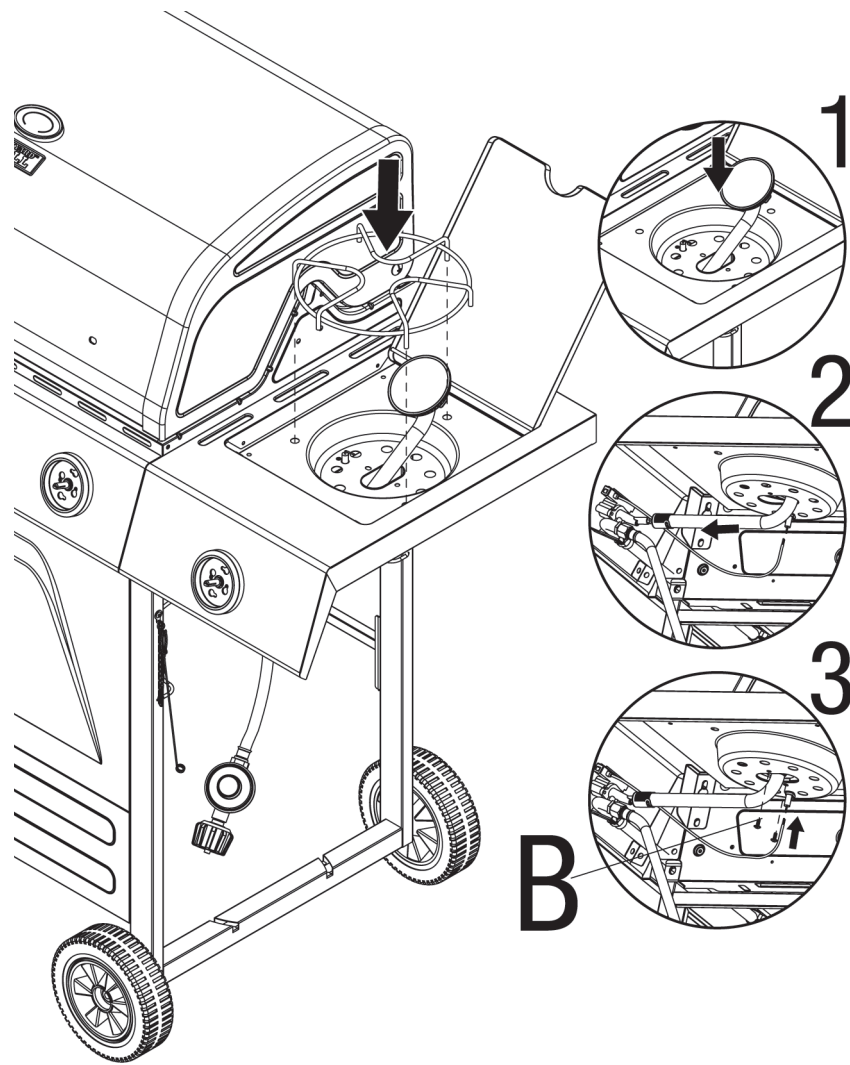
Note: Leave 5 mm of bolt threads exposed.



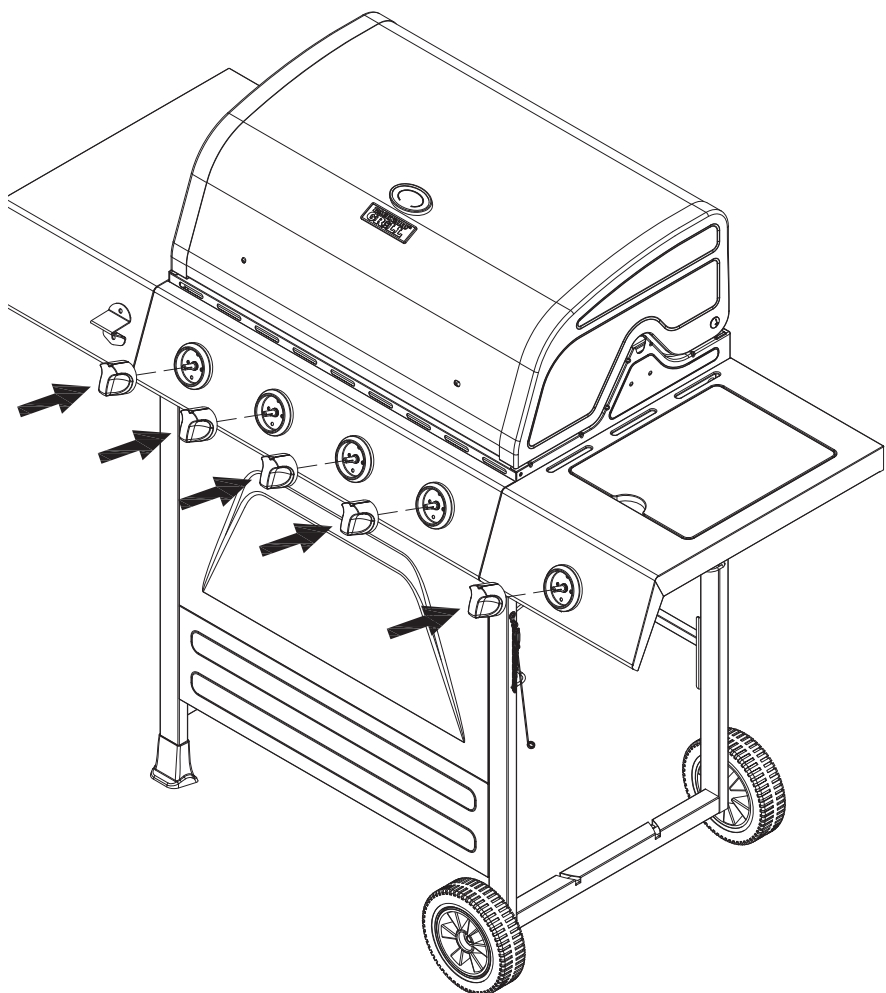
13 Attach Side Burner Valve and Control Knob Bezel



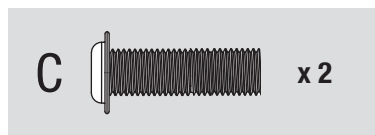
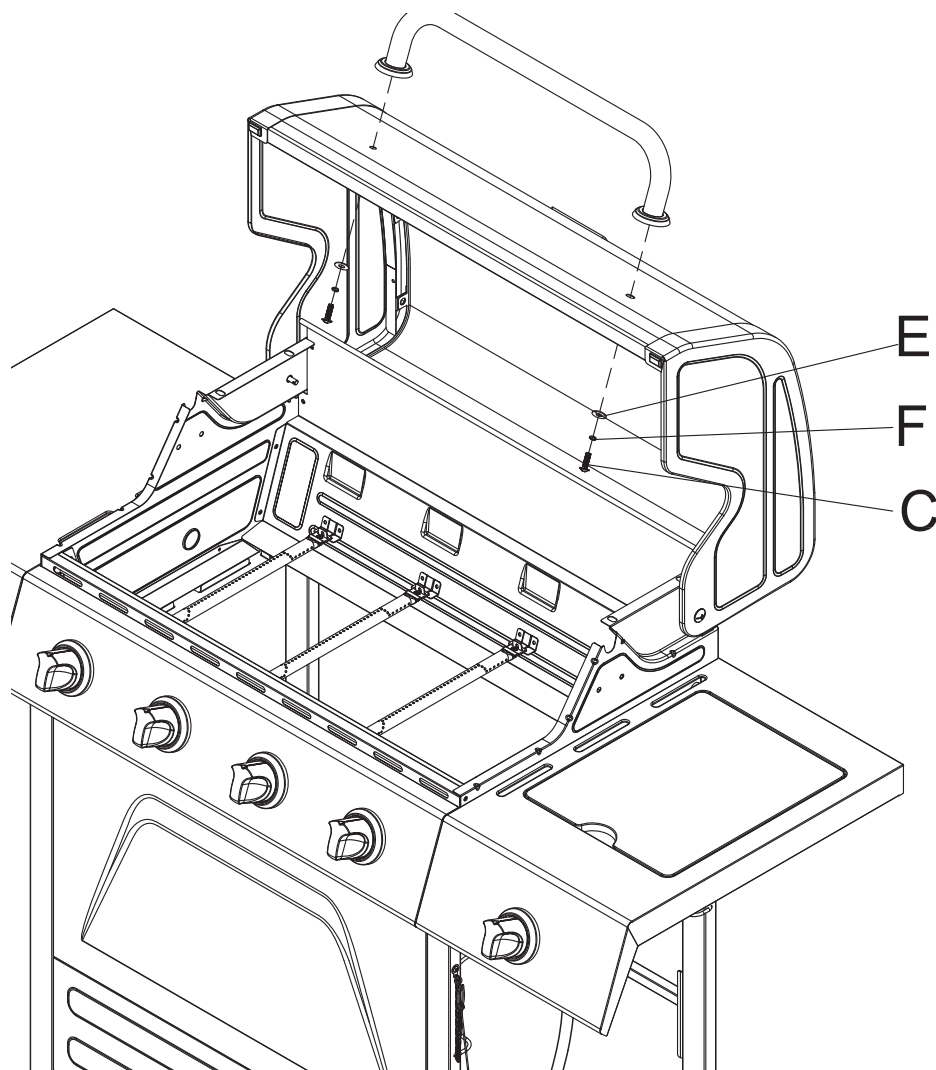
14 Insert Side Burner, Side Burner Grid and Igniter Wire



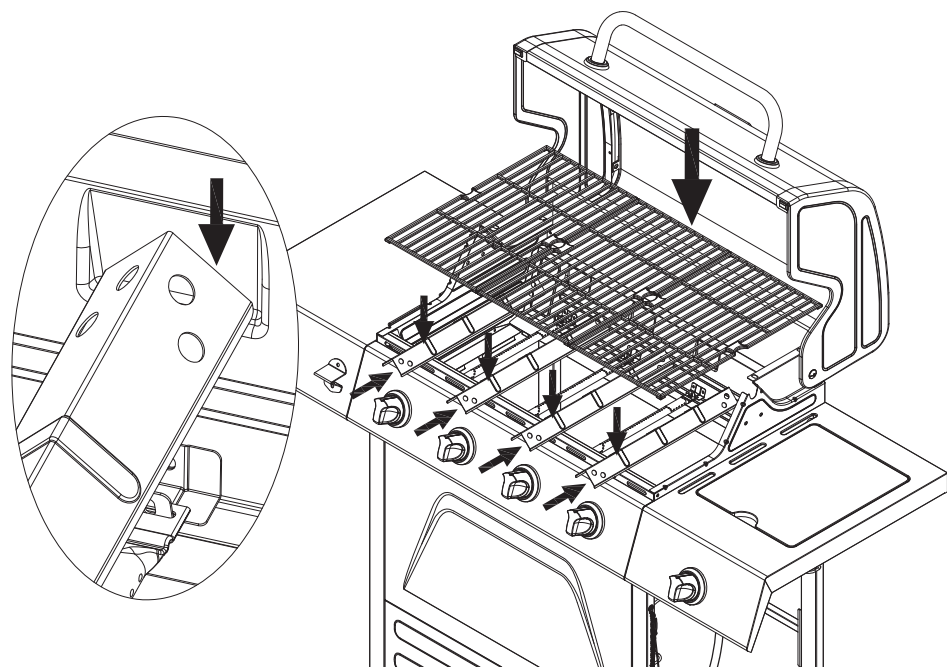
15 Attach Control Knobs



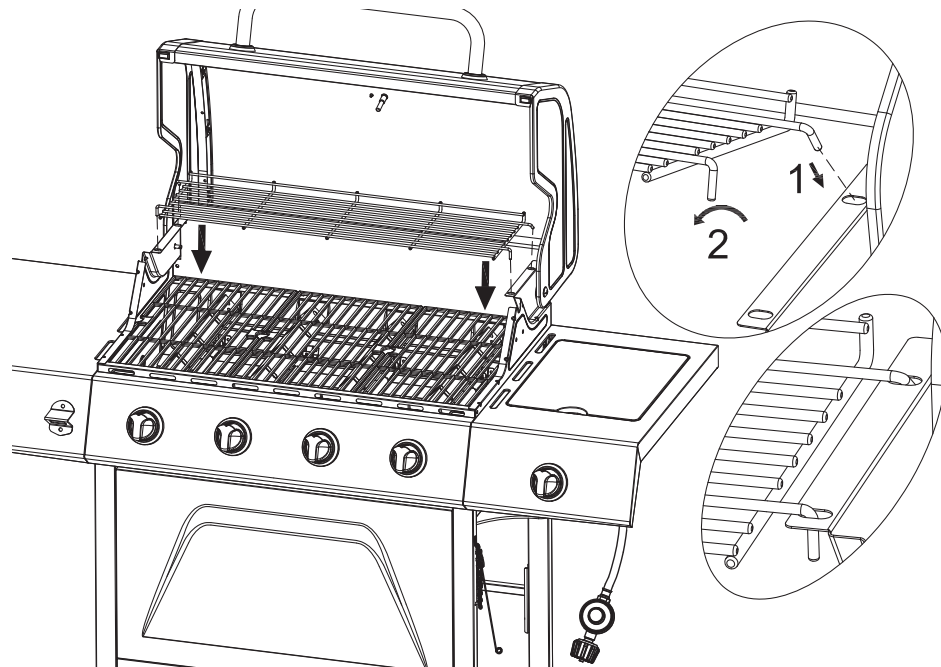
16 Attach Lid Handle



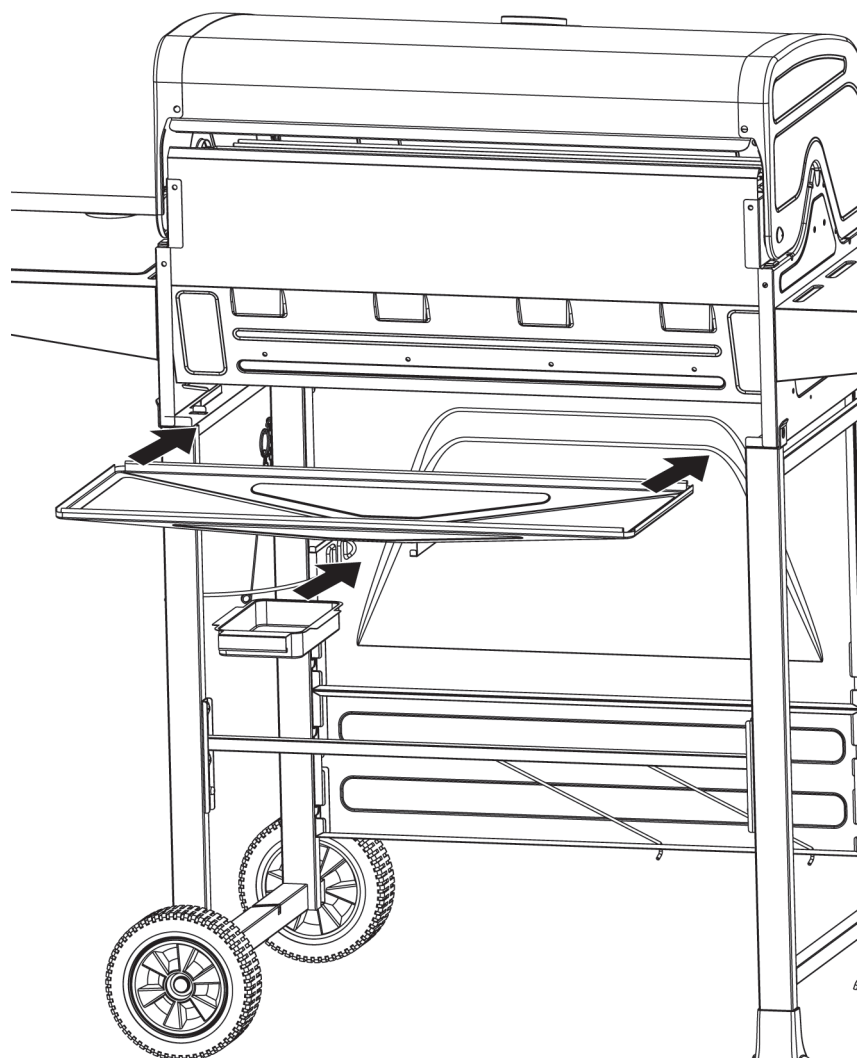
17 Insert Heat Plates and Cooking Grids



18 Insert Warming Rack



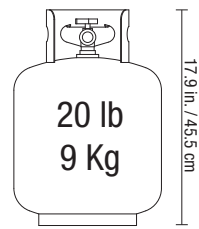
19 Insert Grease Tray and Grease Cup



Natural gas conversion kit (model no. VFK1702W-C) available at Walmart or www.Walmart.ca.

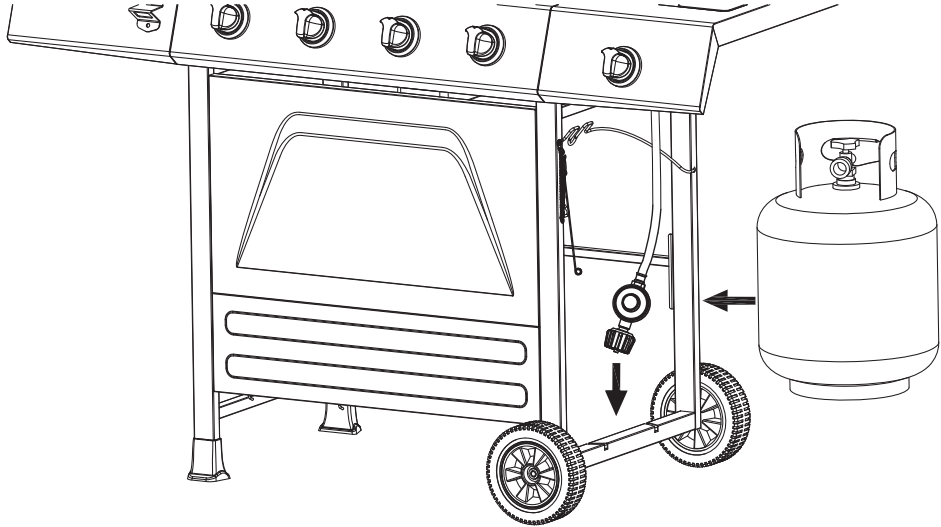
Installing LP Gas Tank

To operate, you will need one precision-filled standard grill LP gas tank with external valve threads.



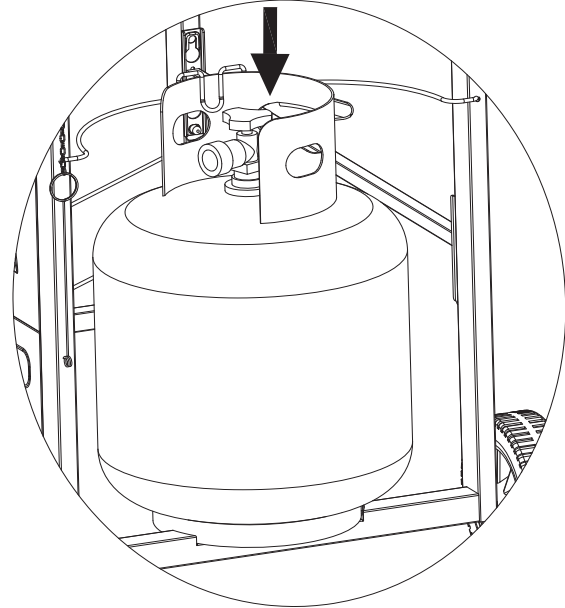
Inserting LP Gas Tank

Place precision-filled LP gas tank upright into the notches in the right cart frame so the tank valve is facing the gas line connection.



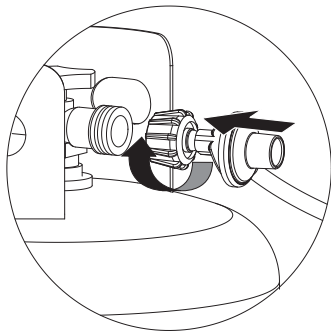
Securing LP Gas Tank

Secure tank by sliding the tank retainer wire over shoulder of LP gas tank.



Connecting LP Gas Tank

1. Before connecting, be sure there is no debris caught in the head of the LP gas tank, head of the regulator valve or in the head of the burner or burner ports.
2. Connect regulator/hose assembly to tank by turning knob clockwise until it stops.

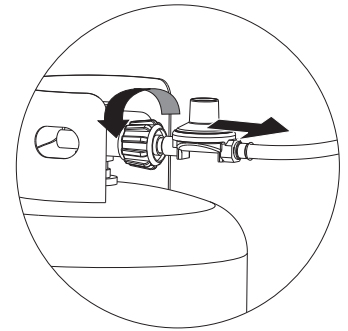


Disconnecting LP Gas Tank

1. Before disconnecting, make sure the LP gas tank valve is "CLOSED."
2. Disconnect regulator/hose assembly from LP gas tank by turning knob counterclockwise until it is loose.

CAUTION: LP gas tank must be properly disconnected and removed prior to moving this grill.

3. Place the protective cap cover on the LP tank and store the tank outdoors in a well ventilated area out of direct sunlight.



Getting More Propane

Need a tank of gas? One option is to try propane exchange. It's easy, fast, safe, and available at tens of thousands of conveniently located retail outlets nationwide, which are typically open nights and weekends. You can purchase a fresh, precision-filled tank or exchange your empty for a fresh, precision-filled tank. Another option is to have your tank refilled at a refill station. Be sure to check the hours of operation for the refill station.

Installing Natural Gas Line

Installation should be done by a qualified service person.

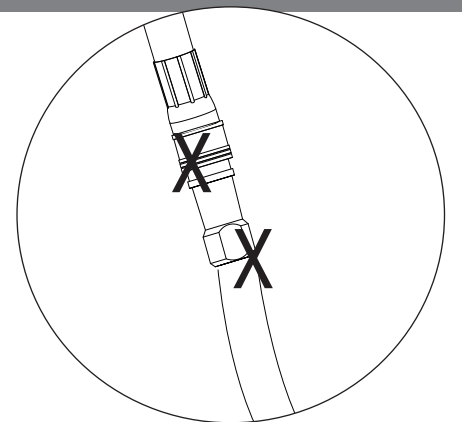
CAUTION: If young children are in the area, a locking valve should be considered.

Connecting Natural Gas Line

1. Before connecting, be sure there is no debris caught in the head of the natural gas line, head of the grill natural gas line or in the head of the burner or burner ports.
2. Connect grill natural gas line to natural main gas line.

Disconnecting Natural Gas Line

1. Before disconnecting, make sure the natural gas main line valve is "OFF."
2. Disconnect grill natural gas line from natural gas main line.



Operating Instructions

Checking for Leaks

Burner Connections

1. Make sure the regulator hose and valve connections are securely fastened to the burner and the tank.
 2. Visually check the connection between the burner/venturi tube and orifice.
 3. Make sure the burner/venturi tube fits over the orifice.
- WARNING: Failure to inspect this connection or follow these instructions could cause a fire or an explosion which can cause death, serious bodily injury or damage to property.**
4. Please refer to diagram for proper installation (Figure 1 and 2).
 5. If the burner/venturi tube does not rest flush to the orifice, as shown, please contact 1.800.694.0013 for assistance.

Tank/Gas Line Connection

1. Make 2-3 oz. of leak detection solution by mixing one part liquid dishwashing soap with three parts water.
2. Make sure control knobs are in the "OFF" position (Figure 3).
3. LP: Connect LP gas tank per "Installing LP Gas Tank" section.
NG: Connect NG main line per "Installing Natural Gas Line" section.
4. LP: Turn LP gas tank valve to "OPEN."
NG: Turn "ON" natural gas main valve.

Figure 1: Main Burners

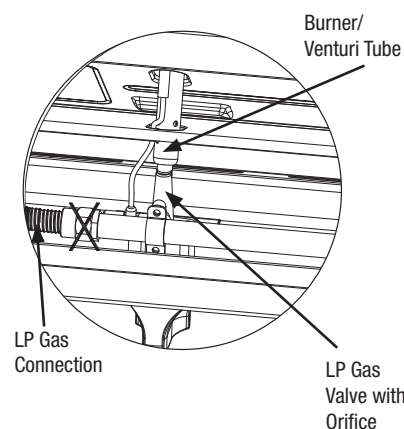


Figure 2: Side Burner

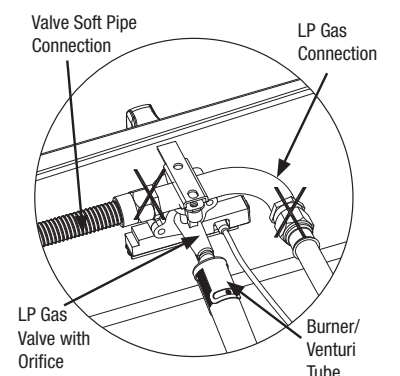
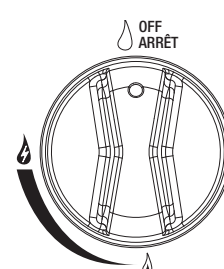


Figure 3



Operating Instructions (continued)

5. Spoon several drops of solution, or use a squirt bottle, at all "X" locations (Figures 1 and 3).
 - a. LP: If any bubbles appear, turn LP gas tank valve to "CLOSED," reconnect and re-test.
NG: If any bubbles appear, turn natural gas main valve "OFF," reconnect and re-test.
 - b. LP: If you continue to see bubbles after several attempts, turn LP gas tank valve to "CLOSED" and disconnect LP gas tank, per "Disconnect LP Gas Tank" section. Contact 1.800.694.0013 for assistance.
NG: If you continue to see bubbles after several attempts, turn natural gas main valve to "OFF." Disconnect natural gas line and contact 1.800.694.0013 for assistance.
 - c. LP: If no bubbles appear after one minute, turn LP gas tank valve to "CLOSED," wipe away solution and proceed.
NG: If no bubbles appear after one minute, turn natural gas main valve to "OFF," wipe away solution and proceed.

Operating Main Burners

First Use

1. Make sure all labels, packaging and protective films have been removed from the grill.
2. Remove manufacturing oils before cooking on this grill for the first time by operating the grill for at least 15 minutes on 🔥 (HIGH) with the lid closed. This will "heat clean" the internal parts and dissipate odors.

Lighting

- ⚠️ **CAUTION: Keep outdoor gas cooking appliance area clear and free from combustible materials, gasoline and other flammable vapors and liquids.**
- ⚠️ **CAUTION: Do NOT obstruct the flow of combustion and ventilation air.**
- ⚠️ **CAUTION: Check and clean burner/venturi tubes for insects and insect nests. A clogged tube can lead to a fire.**
- ⚠️ **CAUTION: Attempting to light the burner with the lid closed may cause an explosion.**

1. Open lid.
2. Check for obstructions of airflow to the burners. Spiders, insects and webs can clog the burner/venturi tube. A clogged burner tube can lead to a fire.
3. All control knobs must be in the "OFF" position (Figure 3).
4. LP: Connect LP gas tank per "Installing LP Gas Tank" section.
NG: Connect NG main line per "Installing Natural Gas Line" section.
5. LP: Turn LP gas tank valve to "OPEN."
NG: Turn natural gas main valve to "ON."
6. Push and turn any control knob to 🔥 (HIGH). The burner should light. If it does not, repeat up to three times.
7. If ignition does not occur in 5 seconds, turn burner control knob "OFF," wait 5 minutes, and repeat lighting procedure.
8. If igniter does not light burner, use a lit match secured with the Lighting Rod (included with grill) to light burners. Access the burners through the cooking grid and heat plates. Position lit match near side of burner (Figure 5).

Important: Always use the Lighting Rod (included) when lighting burners with a match.

9. After lighting, observe the burner flame. Make sure all burner ports are lit and flame height matches illustration (Figure 6).

Note: Each burner lights independently - repeat steps 5-9 for the other burners.

Turning Off

1. LP: Turn LP gas tank valve to "CLOSED."
NG: Turn natural gas main valve to "OFF."
2. Turn all control knobs clockwise to the "OFF" position.
Note: A "poof" sound is normal as the last of the LP gas is burned.
3. LP: Disconnect LP gas tank per "Disconnecting LP Gas Tank" section.
NG: Keep NG main gas line connected.

Controlling Flare-ups

- ⚠️ **CAUTION: Putting out grease fires by only closing the lid is not possible.**

1. If a grease fire develops, turn control knobs to the "OFF" position
(a) LP gas tank valve "CLOSED" or
(b) NG main valve "OFF"

Do NOT use water on a grease fire. This can cause the grease to splatter and could result in serious burns, bodily harm or other damage.

2. Do NOT leave grill unattended while preheating or burning off food residue on 🔥 (HIGH). If grill has not been cleaned, a grease fire can occur.

Flare-ups are a part of cooking meats on a grill and add to the unique flavor of grilling.

Excessive flare-ups can over-cook your food and be dangerous.

Important: Excessive flare-ups result from the build-up of grease in the bottom of your grill.

If a grease fire occurs, close the lid **AND** turn the control knob(s) to "OFF" until the grease burns out. Be careful when opening the lid as sudden flare-ups may occur.

If excessive flare-ups occur, **do NOT** pour water onto the flames.

Minimize Flare-ups:

1. Trim excess fat from meats prior to cooking.
2. Cook high fat content meats on 🔥 (LOW) setting or indirectly.
3. Ensure that your grill is on a hard, level, non-combustible surface and the grease is allowed to drain into grease receptacle.

Operating Side Burner

Note: Side burner can be used while main burners are operating.

Never use side burner as a grill.

- ⚠️ **CAUTION: Maximum weight for side burner and side shelf is 33 lbs.**
- ⚠️ **CAUTION: Using pots larger than 6 quarts in capacity could exceed weight limit of the side burner shelf, resulting in failure of grill cart components.**
- ⚠️ **CAUTION: Do NOT lean on the side burner shelf.**
- ⚠️ **CAUTION: Attempting to light the burner with the lid closed may cause an explosion.**

Lighting

1. Open lid.
2. Check for obstructions of airflow to the burners. Spiders, insects and webs can clog the burner/venturi tube. A clogged burner tube can lead to a fire.
3. Control knob must be in the "OFF" position (Figure 3).
4. LP: Connect LP gas tank per "Installing LP Gas Tank" section.
NG: Connect NG main line per "Installing Natural Gas Line" section.
5. LP: Turn LP gas tank valve to "OPEN."
NG: Turn natural gas main valve to "ON."

Figure 4

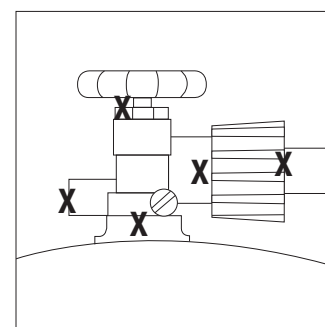


Figure 5

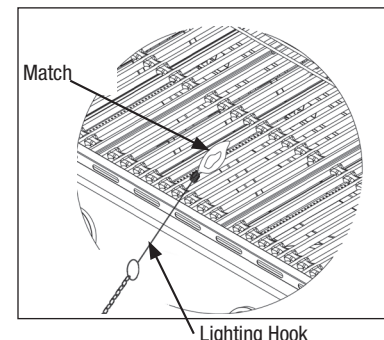
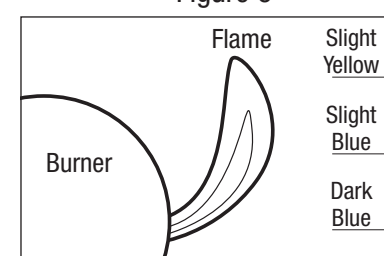


Figure 6



⚠️

CAUTION

⚠️

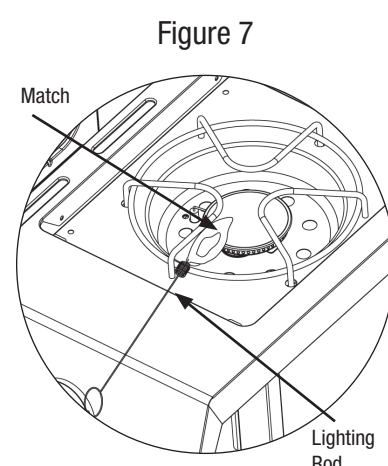
If burner flame goes out during operation, immediately turn the control knobs to the "OFF" position
(a) LP gas tank valve "CLOSED" or
(b) NG main valve "OFF"
and open lid to let the gas clear for 5 minutes before re-lighting.

⚠️

WARNING

⚠️

When cooking, fire extinguishing materials should be readily accessible. In the event of an oil/grease fire, use type BC dry chemical fire extinguisher or smother with dirt, sand or baking soda. Do NOT attempt to extinguish with water.



Operating Instructions (continued)

1. Push and turn control knob to 🔥 (HIGH). The burner should light. If not, repeat up to three times.
2. If ignition does not occur in 5 seconds, turn burner control knob "OFF," wait 5 minutes and repeat lighting procedure.
3. If igniter does not light burner, use a lit match secured with the Lighting Rod (included with grill) to light burners. Position the lit match near side of the burner (Figure 7).

Important: Always use the Lighting Rod (included) when lighting burner with a match.

4. After lighting, observe the burner flame. Make sure all burner ports are lit and flame height matches illustration (Figure 8).

⚠ CAUTION: If burner flame goes out during operation, immediately turn the control knob to the "OFF" position
(a) LP gas tank valve "CLOSED" or
(b) NG main valve "OFF"
and open lid to let the gas clear for 5 minutes before re-lighting.

Turning Off

1. LP: Turn LP gas tank valve to "CLOSED."
NG: Turn natural gas main valve to "OFF."
2. Turn control knob clockwise to the "OFF" position.
Note: A "poof" sound is normal as the last of the LP gas is burned.
3. LP: Disconnect LP gas tank per "Disconnecting LP Gas Tank" section.
NG: Keep NG main gas line connected.

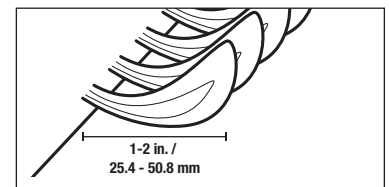
Cooking

1. Open lid and ignite the side burner per "Lighting" instructions.
2. Adjust control knob to desired flame height.
3. Place pan on center of grid.
4. Cook and adjust temperature as needed.
5. Turn grill off per "Turning Off" instructions.

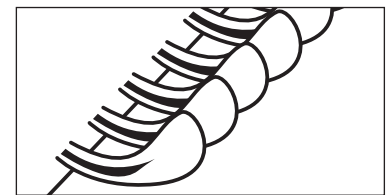
Figure 8

Burner Flame Conditions

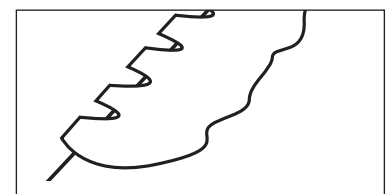
Use this chart to see if your burners need to be cleaned.



Normal: Soft blue flames with yellow tips between 1 in. - 2 in. height.



Needs cleaning: Noisy with hard blue flames.



Has to be replaced: Wavy with yellow flames.

Cleaning and Care

⚠ CAUTION:

1. All cleaning and maintenance should be done when grill is cool and with the fuel supply disconnected.
2. Do NOT clean any grill part in a self-cleaning oven. The extreme heat will damage the finish.
3. Do NOT enlarge valve orifices or burner ports when cleaning the valves or burners.

⚠ CAUTION: Unplug rotisserie motor from the outlet when not in use and before cleaning. Allow to cool before putting on or taking off parts.

Before Each Use:

1. Keep the grill area clean and free from any combustible materials, gasoline, and other flammable vapors and liquids.
2. Do NOT obstruct the flow of the combustion of LP gas and the ventilation of air.
3. Keep the ventilation opening(s) of the LP gas tank area free and clear from debris.
4. Visually check the burner flames to make sure your grill is working properly (Figure 6).
5. See below for proper cleaning instructions.
6. Check for obstructions of airflow to the burners. Spiders, insects and webs can clog the burner/venturi tube. A clogged burner tube can lead to a fire.

Cleaning Surfaces

1. Wipe surfaces clean with mild dishwashing detergent or baking soda mixed with water.
2. For stubborn surfaces, use a citrus-based degreaser and a nylon scrubbing brush.
3. Rinse clean with water.
4. Allow to air dry.

Cleaning Main Burner

1. LP: Turn LP gas tank valve to "CLOSED."
NG: Turn natural gas main valve to "OFF."
2. Turn all control knobs clockwise to the "OFF" position.
Note: A "poof" sound is normal as the last of the gas is burned.
3. LP: Disconnect LP gas tank per "Disconnecting LP Gas Tank" section.
NG: Disconnect main gas line per "Disconnecting Natural Gas Line" section.
4. Remove cooking grids and heat plates.
5. Remove burners by removing the fasteners, which secure the burners to the grill bottom.
6. Lift burners up and away from gas valve orifice.
7. Disconnect wire from spark electrode.

8. Clean venturi of each burner with small bottle brush or compressed air.
9. Remove all food residue and dirt on burner surfaces.
10. Clean any clogged ports with a stiff wire (such as an opened paper clip).
11. Inspect burners for any damage (cracks or holes). If damage is found, replace with new burner(s) from manufacturer.
12. Reinstall burners, checking to insure that gas valve orifice is correctly positioned inside each burner venturi. Also, check position of spark electrode.
13. Replace heat plate(s) and cooking grid(s).
14. LP: Connect LP gas tank per "Installing LP Gas Tank" section.
NG: Connect NG main line per "Installing Natural Gas Line" section.
15. Perform leak test per "Checking for Leaks" section.

Cleaning Surfaces

1. LP: Turn LP gas tank valve to "CLOSED."
NG: Turn natural gas main valve to "OFF."
2. Turn all control knobs clockwise to the "OFF" position.
Note: A "poof" sound is normal as the last of the gas is burned.
3. LP: Disconnect LP gas tank per "Disconnecting LP Gas Tank" section.
NG: Disconnect main gas line per "Disconnecting Natural Gas Line" section.
4. Clean all surfaces.
5. Lightly coat the burner(s) and cooking grid(s) with cooking oil to prevent excess rusting.
6. If storing the grill indoors, disconnect the LP tank per "Disconnecting LP Gas Tank" section.
7. Place the protective cap cover on the LP tank and store the tank outdoors in a well-ventilated area out of direct sunlight.
8. If storing the grill indoors, cover the grill and store in a cool dry place.
9. If storing the grill outdoors, cover the grill with a grill cover for protection from the weather.

⚠	NOTICE	⚠
<ol style="list-style-type: none"> 1. This grill should be thoroughly cleaned and inspected on a regular basis. 2. Abrasive cleaners will damage this product. 3. Never use oven cleaner to clean any part of grill. 		

Limited Warranty

RevoAce Inc. Limited ("RA") warrants to the original retail purchaser of this product, and to no other person, that if this product is assembled, maintained, and operated in accordance with the printed instructions accompanying it, then for a period of five (5) years for the burners and one (1) year for all remaining parts from the date of purchase, all parts in such product shall be free from defects in material and workmanship. RA may require reasonable proof of your date of purchase. Therefore, you should retain your sales slip or invoice. This Limited Warranty shall be limited to the repair or replacement of parts, which prove defective under normal use and service and which RA shall determine in its reasonable discretion upon examination to be defective. Before returning any parts, you should contact RA's Customer Care Department using the contact information listed below. If RA conforms, after examination, a defect covered by this Limited Warranty in any returned part, and if RA approves the claim, RA will replace such defective part without charge. If you return defective parts, transportation charges must be prepaid by you. RA will return replacement parts to the original retail purchaser, freight or postage prepaid. This Limited Warranty does not cover any failures or operating difficulties due to accident, abuse, misuse, alteration, misapplication, improper installation or improper maintenance or service by you or any third party, or failure to perform normal and routine maintenance on the product as set out in this owner's manual. In addition, the Limited Warranty does not cover damage to the finish, such as scratches, dents, discoloration, rust or other weather damage, after purchase.

This Limited Warranty is in lieu of all other express warranties. RA disclaims all warranties for products that are purchased from sellers other than authorized retailers or distributors, including the warranty of merchantability or the warranty of fitness for a particular purpose. RA ALSO DISCLAIMS ANY AND ALL IMPLIED WARRANTIES, INCLUDING WITHOUT LIMITATION THE IMPLIED WARRANTIES OF MERCHANTABILITY AND FITNESS FOR A PARTICULAR PURPOSE. RA SHALL HAVE NO LIABILITY TO PURCHASER OR ANY THIRD PARTY FOR ANY SPECIAL, INDIRECT, PUNITIVE, INCIDENTAL, OR CONSEQUENTIAL DAMAGES. RA further disclaims any implied or express warranty of, and assumes no responsibility for, defects in workmanship caused by third parties. This Limited Warranty gives the purchaser specific legal rights; a purchaser may have other rights depending upon where he or she lives. Some jurisdictions do not allow the exclusion or limitation of special, incidental or consequential damages, or limitations on how long a warranty lasts, so the above exclusion and limitations may not apply to everyone. RA does not authorize any person or company to assume for it any other obligation or liability in connection with the sale, installation, use, removal, return, or replacement of its equipment, and no such representations are binding on RA.

RevoAce Inc. Limited

Hong Kong, China

1.800.694.0013

Troubleshooting

Problem	Possible Cause	Prevention/Cure
Burner will not light using ignitor	LP gas tank valve is closed NG main valve is closed	LP: Make sure regulator is securely attached to the LP gas tank per "Installing LP Gas Tank," then turn LP gas tank valve to "OPEN" NG: Make sure regulator and NG main line are securely attached per "Installing Natural Gas Line," then turn NG main valve to "ON"
	LP gas tank is low or empty	Exchange, refill or replace LP gas tank
	LP gas / NG leak	1. LP: Turn LP gas tank valve to "CLOSED" NG: Turn natural gas main valve to "OFF" 2. Wait 5 minutes for gas to clear 3. Follow "Checking for Leaks" section
	Battery needs to be changed	Replace the "AA" battery (follow assembly step for inserting battery)
	Wires or electrode covered with cooking residue	Clean wire and/or electrode with rubbing alcohol
	Electrode and burners are wet	Wipe dry with cloth
	Electrode cracked/broken - sparks at crack	Replace electrode
	Wire loose or disconnected Wire is shorting (sparking) between ignitor and electrode Bad ignitor	Reconnect wire or replace electrode/wire assembly Replace ignitor wire/electrode assembly Replace ignitor
Burner will not light with match	No gas flow	LP: Check if LP gas tank is empty A. If empty, exchange, refill or replace LP gas tank B. If LP gas tank is not empty, refer to "Sudden drop in gas flow or reduced flame height" (see below) NG: Check if NG main valve is connected A. Make sure regulator and NG main line are securely attached, then turn NG main valve to "OPEN" B. If NG main valve is "ON," then refer to "Sudden drop in gas flow or reduced flame height" (see below)
	LP gas tank is low or empty	Exchange, refill or replace LP gas tank
	LP gas / NG leak	1. LP: Turn LP gas tank valve to "CLOSED." NG: Turn natural gas main valve to "OFF" 2. Wait 5 minutes for gas to clear 3. Follow "Checking for Leaks" section
	Coupling nut and regulator not fully connected	Turn the coupling nut about one-half to three quarters additional turn until solid stop. Tighten by hand only - do NOT use tools.
	Obstruction of gas flow	1. Clear burner tubes 2. Check for bent or kinked hose
	Disengagement of burner to valve	Reengage burner and valve
	Spider webs or insect nest in venturi Burner ports clogged or blocked	Clean burner/venturi tube Clean burner ports
Sudden drop in gas flow or reduced flame height	LP: Out of gas NG: No main line pressure	Exchange, refill or replace LP gas tank Call your natural gas provider to inspect natural gas line
	LP: Overfilling prevention device may have been activated	1. Turn control knobs to "OFF" 2. Wait 30 seconds and light grill 3. If flames are still too low, reset the overfilling prevention device: a. Turn control knob(s) "OFF" b. Turn LP gas tank valve to "CLOSED" c. Disconnect regulator d. Turn control knobs to 🔥 (HIGH) e. Wait 1 minute f. Turn control knobs to "OFF" g. Reconnect regulator and leak check connections, being careful not to fully open valve h. Light grill per "Lighting" section
	Irregular flame pattern, flame does not run the full length of burner	Burner ports are clogged or blocked Clean burner ports
Flame is yellow or orange	New burner may have residual manufacturing oils	Burn grill for 15 minutes on 🔥 (HIGH) with the lid closed
	Spider webs or insect nest in venturi	Clean venturi
	Food residue, grease, etc. on burners	Clean burner
	Poor alignment of valve to burner/venturi tube	Ensure burner/venturi tube is properly engaged with valve
Flame goes out	High or gusting winds	Do not use grill in high winds
	Low on LP Gas	Exchange, refill or replace LP gas tank
	Overfilling prevention device may have been activated	Refer to "Sudden drop in gas flow or reduced flame height" (see above)
Flare-up	Grease buildup	Remove and clean all grill parts per "Cleaning and Care" section
	Excess fat in meat	Trim fat from meat before grilling
	Excessive cooking temperature	Adjust to lower cooking temperature
Persistent grease fire	Grease trapped by food buildup around burner system	1. Turn control knobs to "OFF" 2. LP: Turn LP gas tank valve to "CLOSED" NG: Turn natural gas main valve to "OFF" 3. Leave lid in closed position and let fire burn out 4. After grill cools, remove and clean all parts per "Cleaning and Care" section
Flashback (fire in burner tube(s))	Burner and/or burner/venturi tube are blocked	Clean burners and/or burner/venturi tube(s)
Inside of lid is peeling (like paint peeling)	The lid is coated/painted	Grease buildup has turned to carbon and is flaking off – clean thoroughly per "Cleaning and Care" section

Guide de dépannage (suite)

Problème	Cause possible	Prévention/mesure corrective
La flamme s'éteint.	La bouteille de propane est presque vide. La soupape de limitation de débit s'est peut-être déclenchée.	Echangez, remplissez ou remplacez la bouteille de propane. Reportez-vous aux instructions du paragraphe « Baisse soudaine du débit du propane ou hauteur réduite de flamme » (voir ci-dessus). Retirez et nettoyez toutes les pièces du barbecue en suivant les instructions « Nettoyage et entretien » du manuel d'utilisation.
Flambée soudaine.	Accumulation de graisse. La viande est trop grasse. La température de cuisson est trop élevée.	Éliminez la graisse de la viande avant de la griller. Régalez à la baisse la température.
Feu de graisse persistant.	Graisse piégée par accumulation de nourriture autour des brûleurs.	<ol style="list-style-type: none"> 1. Tournez les boutons de commande sur « ARRÊT ». 2. PROPANE (GPL) : Fermez le gaz en réglant le robinet de la bouteille de propane sur « CLOSED » (fermé). 3. GAZ NATUREL (GN) : Fermez le gaz au niveau de la conduite principale d'alimentation en gaz naturel en réglant le robinet sur « OFF » (fermé). 4. Laissez le couvercle fermé et laissez le feu se consumer. Une fois que le barbecue a refroidi, retirez et nettoyez toutes les pièces du barbecue en suivant les instructions « Nettoyage et entretien » du manuel d'utilisation.
Retour de flammes (feu dans le ou les tubes de brûleurs).	Le brûleur et/ou ses tubes sont bouchés.	Nettoyez le brûleur et/ou les tubes du brûleur.
L'intérieur du couvercle s'écaille comme de la peinture.	Le couvercle est peint.	L'accumulation de graisse cuite s'est transformée en carbone et s'écaille. Nettoyez rigoureusement le couvercle en suivant les instructions « Nettoyage et entretien » du manuel.

Nettoyage et entretien (suite)

Nettoyage des brûleurs principaux

- PROPANE (GPL)**: Fermez le gaz en réglant le robinet de la bouteille de propane sur « CLOSED » (fermé).
- Tournez tous les boutons de commande dans le sens des aiguilles d'une montre afin de les régler sur « ARRÊT ».

Remarque : Vous entendrez un son étouffé, ceci est normal, il s'agit du reste du gaz venant de se consumer.
- PROPANE (GPL)**: Débranchez la bouteille de propane en suivant les instructions « Débrancher la bouteille de propane ».
- Retirez les grilles de cuisson et les diffuseurs de chaleur.
- Retirez les brûleurs en retirant les dispositifs de fixation retenant le brûleur à la partie inférieure du barbecue.
- Soulevez et éloignez les brûleurs de l'orifice de la valve de gaz.
- Déconnectez le fil de l'électrode d'allumage.
- Nettoyez le venturi de chaque brûleur avec un petit goupillon ou de l'air comprimé.
- Nettoyez les restes de nourriture et la saleté de la surface du brûleur.
- Nettoyez les orifices bouchés avec un fil métallique (un trombone ouvert, par exemple).
- Vérifiez les brûleurs à la recherche de détériorations (fissures ou trous). En cas de détériorations, remplacez le brûleur endommagé par un brûleur neuf du même fabricant.
- Vérifiez les brûleurs, vérifiez que les orifices de la valve de gaz sont correctement positionnés à l'intérieur du venturi de chaque brûleur. Vérifiez également la position de l'électrode d'allumage.
- Remettez en place les diffuseurs de chaleur et les grilles de cuisson.
- PROPANE (GPL)**: Branchez la bouteille de propane en suivant les instructions « Brancher la bouteille de propane ».
- Reportez-vous au chapitre « Détecter une fuite ».

Nettoyage du brûleur latéral

- PROPANE (GPL)**: Fermez le gaz en réglant le robinet de la bouteille de propane sur « CLOSED » (fermé).
- GAZ NATUREL (GN)**: Fermez le gaz au niveau de la conduite principale d'alimentation en gaz naturel en réglant le robinet sur « OFF » (fermé).
- Tournez tous les boutons de commande dans le sens des aiguilles d'une montre afin de les régler sur « ARRÊT ».

Remarque : Vous entendrez un son étouffé, ceci est normal, il s'agit du reste du gaz venant de se consumer.
- PROPANE (GPL)**: Débranchez la bouteille de propane en suivant les instructions « Débrancher la bouteille de propane ».
- GAZ NATUREL (GN)**: Débranchez la conduite principale d'alimentation en gaz naturel en suivant les instructions « Débrancher le tuyau de gaz naturel ».
- Retirez les grilles de cuisson et les diffuseurs de chaleur.
- Retirez le brûleur en retirant les vis retenant le brûleur à la tablette latérale.
- Soulevez et éloignez les brûleurs de l'orifice de la valve de gaz.
- Nettoyez le venturi de chaque brûleur avec un petit goupillon ou de l'air comprimé.
- Nettoyez les restes de nourriture et la saleté de la surface du brûleur.
- Nettoyez les orifices bouchés avec un fil métallique (un trombone ouvert, par exemple).
- Vérifiez les brûleurs à la recherche de détériorations (fissures ou trous). En cas de détériorations, remplacez le brûleur endommagé par un brûleur neuf du même fabricant.
- Réinstallez le brûleur, vérifiez que les orifices de la valve de gaz sont correctement positionnés à l'intérieur du venturi de chaque brûleur. Vérifiez également la position de l'électrode d'allumage.
- Retirez en place la (les) grille(s) de cuisson.
- PROPANE (GPL)**: Branchez la bouteille de propane en suivant les instructions « Brancher la bouteille de propane ».
- GAZ NATUREL (GN)**: Branchez la conduite principale d'alimentation en gaz naturel en suivant les instructions « Installation de la conduite principale d'alimentation en gaz naturel ».
- Effectuez le test d'étanchéité afin de vous assurer que le raccord ne présente pas de fuite. Reportez-vous au chapitre « Détecter une fuite ».

Garantie limitée

La société RevoAce Inc. Limited (« RA ») garantit cet article au premier acheteur au détail et à aucune autre personne, contre tout vice de matériau et de fabrication pour une période de cinq (5) ans pour les brûleurs et d'un (1) an pour toutes les autres pièces à partir de la date d'achat si cet article est monté et utilisé conformément aux instructions fournies. RA vous demandera sans doute une preuve raisonnable d'achat datée, veuillez donc conserver votre facture ou votre reçu. Cette garantie limitée se limitera à la réparation ou au remplacement de pièces ayant été déterminées défectueuses par RA lors de conditions d'utilisation et d'entretien normales. Avant de renvoyer une pièce, contactez le service à la clientèle de RA. Si RA confirme le défaut de fabrication et approuve la réclamation, ce dernier remplacera gratuitement les dites pièces. Si vous devez renvoyer des pièces défectueuses, les pièces devront être expédiés port-payé. RA s'engage à renvoyer les pièces à l'acheteur portpayé.Cette garantie limitée ne couvre pas les pannes et dysfonctionnements survenant suite à tout accident, mauvais usage, entretien incorrect de cet article, ou toute modification, mauvaise installation ou négligence comme il a été établi dans ce manuel. De plus, cette garantie limitée ne couvre pas les dommages au ani, à savoir les rayures, les bosses, les traces de décoloration, de rouille ou les dommages résultant des intempéries après achat de l'article.

Cette garantie remplace toute autre garantie exprimée et il n'existe aucune autre garantie exprimée à l'exception de la couverture indiquée ici. RA désavoue toute garantie couvrant des produits ayant été achetés auprès de revendeurs autres que les revendeurs et distributeurs agréés y compris toute garantie de commerciabilité et d'adaptation à un usage particulier. RA DÉCLINE ÉGALEMENT TOUTE GARANTIE IMPLICITE Y COMPRIS TOUTE GARANTIE DE COMMERCIALITÉ ET D'ADAPTATION À UN USAGE PARTICULIER. RA NE POURRA ÊTRE TENU RESPONSABLE PAR L'ACHETEUR OU UN TIERS POUR TOUTS DÉGÂTS ET DOMMAGES PARTICULIERS, INDIRECTS, PUNITIFS OU CONSÉCUTIFS. De plus, RA désavoue toute garantie exprimée ou implicite et décline toute responsabilité en cas de défaut de fabrication causées par un tiers.Cette garantie limitée octroie des droits spécifiques à l'acheteur reconnus par la loi et il est possible que ce dernier en possède d'autres selon sa localité. Certaines juridictions ne permettent pas l'exclusion ni la limitation de dommages consécutifs ou accessoires ni la limitation en temps d'une garantie et ces limitations peuvent ne pas être applicables à tous. RA ne permet en aucun cas à une personne ou à une société de s'attribuer les responsabilités et les obligations liées à la vente, l'installation, l'utilisation, la dépose ou le remplacement de cet article, et aucune de ces représentations n'engage la responsabilité de RA.

RevoAce Inc. Limited

Hong Kong, China

1.800.694.0013

Fonctionnement du brûleur latéral

REMARQUE : Le brûleur latéral peut être utilisé pendant que les brûleurs principaux fonctionnent.

Ne jamais utiliser le brûleur latéral en tant que barbecue.

- ▲ **ATTENTION** : La charge maximum pouvant être soutenue dans le brûleur latéral est de 15 kg (33 lb).
- ▲ **ATTENTION** : Si vous utilisez des casseroles de 5,6 litres vous risquez de dépasser la limite de poids maximum de la tablette du brûleur latéral et les pièces du barbecue risquent de se rompre.
- ▲ **ATTENTION** : NE PAS se pencher sur la tablette du brûleur latéral.

- ▲ **ATTENTION** : Toute tentative d'allumage du brûleur avec le couvercle fermé peut provoquer une explosion!

Pour allumer

1. Ouvrez le couvercle du barbecue.
2. Assurez-vous qu'il n'existe aucune obstruction et que rien ne gêne le débit d'air vers les brûleurs. Des araignées et autres insectes peuvent y élire domicile et boucher le brûleur et tube de venturi au niveau de l'orifice. Si la tubulure du brûleur est bouchée, ceci risque de provoquer un feu en-dessous de l'appareil.

3. Le bouton de commande doit être réglé sur

« ARRÊT ». Reportez-vous à l'illustration 3.

4. **PROPANE (GPL)** : Branchez la bouteille de propane en suivant les instructions « Installer la bouteille de propane ».

GAZ NATUREL (GN) : Branchez la conduite principale d'alimentation en gaz naturel en suivant les instructions « Installation de la conduite principale d'alimentation en gaz naturel ».

5. **PROPANE (GPL)** : Ouvrez le gaz en réglant le robinet de la bouteille de propane sur

« OPEN » (ouvert).

GAZ NATUREL (GN) : Ouvrez le gaz au niveau de la conduite principale d'alimentation en gaz naturel en réglant le robinet sur « ON » (ouvert).

6. Poussez et tournez lentement le bouton de commande sur **▲** (max.). Le brûleur devrait s'allumer. Si le brûleur ne s'allume pas, répétez l'opération jusqu'à 3 fois si nécessaire.

7. Si l'appareil ne s'allume pas en 5 secondes, réglez le bouton du brûleur sur « ARRÊT », attendez 5 minutes puis reprenez la procédure d'allumage depuis le début.

8. Si l'allumeur ne parvient pas à allumer le brûleur, fixez une allumette allumée au bout de la tige d'allumage (fournie avec le barbecue) afin d'allumer manuellement les brûleurs. Placez l'allumette allumée sur le côté du brûleur (voir l'illustration 7).

Important : Veillez à toujours utiliser la tige d'allumage lorsque vous allumez les brûleurs avec une allumette.

9. Après avoir allumé le brûleur, veuillez observer la flamme du brûleur et vérifiez que tous les orifices du brûleur sont allumés et que la hauteur de la flamme correspond à celle de l'illustration (voir l'illustration 6).

- ▲ **ATTENTION** : Si la flamme du brûleur s'éteint lors du fonctionnement du barbecue, fermer immédiatement le gaz en réglant le bouton de commande sur « **ARRÊT** » :

(a) **PROPANE** : Fermer le gaz en réglant le robinet de la bouteille de propane sur « **CLOSED** » (fermé).

(b) **GAZ NATUREL** : Fermer le gaz au niveau de la conduite principale d'alimentation en gaz naturel en réglant le robinet sur « **OFF** » (fermé). Ouvrir le couvercle et attendre ensuite 5 minutes afin que le gaz se dissipe avant de tenter à nouveau d'allumer le barbecue.

Pour éteindre

1. **PROPANE (GPL)** : Fermez le gaz en réglant le robinet de la bouteille de propane sur

« CLOSED » (fermé).

GAZ NATUREL (GN) : Fermez le gaz au niveau de la conduite principale d'alimentation en gaz naturel en réglant le robinet sur « **OFF** » (fermé).

2. Tournez le bouton de commande dans le sens des aiguilles d'une montre afin de le régler sur « **ARRÊT** ».

Remarque : Vous entendrez un son étouffé, ceci est normal, il s'agit du reste du gaz venant de se consumer.

3. **PROPANE (GPL)** : Débranchez la bouteille en suivant les instructions « Débrancher la bouteille de propane ».

GAZ NATUREL (GN) : Laissez branchée la conduite principale d'alimentation en gaz naturel.

Cuisson

1. Ouvrez le couvercle et allumez le brûleur en suivant les instructions d'allumage « Pour allumer » du manuel d'utilisation.

2. Réglez le bouton de commande à la hauteur de flamme désirée.

3. Placez la casserole ou le bac contenant les aliments au centre de la grille de cuisson.

4. Procédez à la cuisson et réglez la température au besoin.

5. Éteignez le barbecue en suivant les instructions « Pour éteindre ».

- ▲ **ATTENTION** : Débrancher le moteur du tournebroche de la prise de courant lorsque le tournebroche n'est pas utilisé et avant tout nettoyage. Laisser l'appareil refroidir avant de

mettre en place ou de retirer une pièce.



1. Tout nettoyage ou entretien doit être effectué lorsque le barbecue est froid et après avoir fermé et débranché l'alimentation en gaz.
2. NE placer AUCUNE pièce du barbecue dans un four autonome. La chaleur extrême endommagera le fini du barbecue.
3. NE PAS agrandir les orifices des valves ou des brûleurs lors du nettoyage des valves ou des brûleurs.



1. Ce barbecue doit être vérifié et nettoyé en entier régulièrement.
2. N'utilisez pas de produits de nettoyage abrasifs car ils risquent d'endommager le barbecue.
3. N'utilisez jamais de produit à nettoyer les fours sur une pièce quelle qu'elle soit du barbecue.

Nettoyage des surfaces du barbecue

1. Essayez les surfaces du barbecue avec un liquide à vaisselle doux ou du bicarbonate de soude mélangé avec de l'eau.
2. Pour les tâches corées, utilisez un dégraissant au citron et une brosse de nettoyage en nylon.
3. Rincez à l'eau.
4. Laissez le barbecue sécher à l'air libre.

Avant chaque utilisation:

1. Assurez-vous que la zone autour du barbecue demeure dégagée et dépourvue de matières combustibles, d'essence et d'autres liquides et vapeurs inflammables.
2. Ne pas bloquer le débit d'air de combustion du propane ni de ventilation.

3. Assurez-vous que la (les) ouverture(s) de ventilation autour de la bouteille de propane demeurent toujours propres et dépourvues de débris.

4. Vérifiez les flammes du brûleur afin de vous assurer que le barbecue fonctionne correctement (illustration 8).

5. Reportez-vous aux paragraphes ci-dessous pour les instructions de nettoyage.

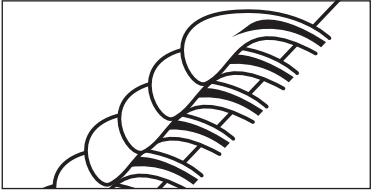
6. Vérifiez et nettoyez les tubes venturi et du brûleur afin de vous assurer qu'ils ne sont pas bouchés par des insectes et leurs nids. Si la tubulure du brûleur est bouchée, ceci risque de provoquer un feu sous le barbecue.

Nettoyage des surfaces du barbecue

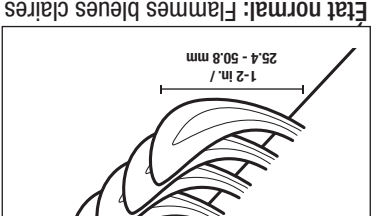
Le brûleur doit être nettoyé: Flammes jaunes ondulantes.



Le brûleur doit être nettoyé: Brûleur bruyant avec flammes bleues.



État normal: Flammes bleues claires avec crêtes jaunes entre 2,5 et 5 cm de hauteur.



Reportez-vous aux illustrations suivantes afin de savoir si vos brûleurs doivent être nettoyés.

État de la flamme du brûleur

Illustration 8

Nettoyage et entretien

Fonctionnement (suite)

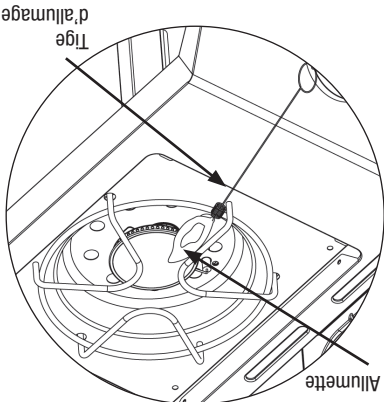


Illustration 7

4. PROPANE (GPL) : Ouvrez le gaz en réglant le robinet de la bouteille de propane sur « OPEN » (ouvert).
5. GAZ NATUREL (GN) : Ouvrez le gaz au niveau de la conduite principale d'alimentation en gaz naturel en tournant le robinet sur « ON » (ouvert).
5. Versez quelques gouttes de la solution de détection de fuites sur tous les points de raccordement indiqués par un « X » (illustrations 1, 2 et 4).
- a. PROPANE (GPL) : Si des bulles apparaissent, fermez le gaz en réglant le robinet de la bouteille de propane sur « CLOSED » (fermé), desserrez le raccord puis rebranchez en vous assurant qu'il est étanche en effectuant un autre test d'étanchéité.
- b. PROPANE (GPL) : Si des bulles persistent après plusieurs tentatives, fermez le gaz en réglant le robinet de la bouteille de propane sur « CLOSED » (fermé), débranchez la bouteille en suivant les instructions « Débrancher la bouteille de propane » et appelez le 1.800.694.0013.
- c. GAZ NATUREL (GN) : Si des bulles persistent après plusieurs tentatives, fermez le gaz au niveau de la conduite principale d'alimentation en gaz naturel en tournant le robinet sur « OFF » (fermé), débranchez le tuyau de gaz naturel et appelez le 1.800.694.0013.
- PROANE (GPL) : S'il n'y a toujours pas de bulles après une minute, fermez le gaz en réglant le robinet de la bouteille de propane sur « CLOSED » (fermé), essayez la solution et continuez.
- GAZ NATUREL (GN) : S'il n'y a toujours pas de bulles après une minute, fermez le gaz au niveau de la conduite principale d'alimentation en gaz naturel en tournant le robinet sur « OFF » (fermé), essayez la solution et continuez.

Fonctionnement des brûleurs principaux

Utiliser le barbecue pour la première fois

1. Assurez-vous d'avoir retiré toutes les étiquettes ainsi que tous les matériaux d'emballage et films protecteurs du barbecue
2. Avant de cuire quoi que ce soit sur le barbecue pour la première fois, faites fonctionner le barbecue pendant environ 15 minutes avec le couvercle fermé et le bouton de commande du gaz sur ϕ (maximum). La chaleur « nettoiera » les pièces internes et dissipera les odeurs.

Pour allumer

ATTENTION : Assurez-vous que la zone autour du barbecue demeure dégagée et dépourvue de matières

combustibles, d'essence et d'autres liquides et vapeurs inflammables.

ATTENTION : Ne pas bloquer ni empêcher le débit d'air de combustion du propane ni de ventilation.

ATTENTION : Assurez-vous que les tubes de venturi et des brûleurs ne sont pas bouchés par des insectes et leurs nids et nettoyez-les si nécessaire. Si la tubulure du brûleur est bouchée, ceci risque de provoquer un feu sous le

barbecue.

ATTENTION : Toute tentative d'allumage du brûleur avec le couvercle fermé peut provoquer une explosion!

1. Ouvrez le couvercle du barbecue.
2. Assurez-vous qu'il n'existe aucune obstruction et que rien ne gêne le débit d'air vers les brûleurs. Des araignées et autres insectes peuvent y être domicilié et boucher le brûleur et le tube venturi au niveau de l'orifice. Si la tubulure du brûleur est bouchée, ceci risque de provoquer un feu en-dessous de l'appareil.
3. Tous les boutons de commande doivent être réglés sur « ARRÊT ». Reportez-vous à l'illustration 3.
4. PROPANE (GPL) : Branchez la bouteille de propane en suivant les instructions « Installer la bouteille de propane ».
5. GAZ NATUREL (GN) : Branchez la conduite principale d'alimentation en gaz naturel en suivant les instructions « Installation de la conduite principale d'alimentation en gaz

Pour éteindre

1. PROPANE (GPL) : Fermez le gaz en réglant le robinet de la bouteille de propane sur « CLOSED » (fermé).
2. GAZ NATUREL (GN) : Fermez le gaz au niveau de la conduite principale d'alimentation en gaz naturel en réglant le robinet sur « ARRÊT » (fermé).
3. Tournez tous les boutons de commande dans le sens des aiguilles d'une montre afin de les régler sur « ARRÊT » les uns après les autres.
4. Remarque : Vous entendrez un son étouffé, ceci est normal, il s'agit du reste du gaz venant de se consumer.
5. PROPANE (GPL) : Débranchez la bouteille en suivant les instructions « Débrancher la bouteille de propane ».
6. GAZ NATUREL (GN) : Laissez branchée la conduite principale d'alimentation en gaz naturel.

Controlling Flare-ups

ATTENTION : Il n'est pas possible d'éteindre les feux de graisse en fermant le couvercle du barbecue.

1. En cas de feu de graisse, tourner les boutons de commande sur « ARRÊT » :

(a) PROPANE : Fermer le gaz en réglant le robinet de la bouteille de propane sur «

CLOSED » (fermé).

(b) GAZ NATUREL : Fermer le gaz en réglant le robinet de la conduite principale

d'alimentation en gaz naturel sur « OFF » (fermé). Ne pas utiliser d'eau pour éteindre un feu de graisse. Ceci risque de provoquer des éclaboussures et d'entraîner des brûlures graves, des blessures corporelles graves et d'autres dégâts.

2. Ne pas laisser le barbecue sans surveillance lorsqu'il est en phase de préchauffage ni après la cuisson pour éliminer des résidus de nourriture par chaleur intense avec le

brûleur réglé sur ϕ (max). Si le barbecue n'a pas été nettoyé, un feu de graisse risque de

se produire et d'endommager le barbecue.

Les flambées soudaines sont normales et se produisent régulièrement lorsque vous cuisez de la viande au barbecue et donnent un goût unique à vos grillades.

De top nombreuses flambées soudaines risquent de brûler vos aliments et peuvent être dangereuses.

Important : Les top nombreuses flambées soudaines résultent d'une accumulation de résidus de graisse au fond du barbecue.

En cas de feu de graisse, fermez le couvercle ET tournez le(s) bouton(s) de commande sur

« ARRÊT » jusqu'à ce que le feu s'éteigne de lui-même. Faites preuve de précaution lorsque vous ouvrez le couvercle afin d'éviter tout retour de flamme.

En cas de top nombreuses flambées soudaines, NE PAS verser d'eau sur les flammes.

Minimiser les flambées soudaines

1. Découpez le gras de la viande avant la cuisson.

2. Veillez à cuire les viandes très grasses à petit feu sur Δ (min.) ou en effectuant une cuisson indirecte.

3. Assurez-vous que le barbecue se trouve sur une surface dure et non combustible et que la graisse puisse s'égoutter dans le godet collecteur.



Lors de la cuisson, conserver toujours à portée de main des articles ou matières capables d'éteindre le feu. En cas de feu d'huile ou de graisse, utiliser un extincteur à poudre BC ou étouffer le feu avec de la terre, du sable ou du bicarbonate de soude. Ne pas tenter d'éteindre le feu avec de l'eau.



Si la flamme du brûleur s'éteint lors du fonctionnement du barbecue, fermer immédiatement le gaz en réglant les boutons de commande sur « arrêt » :

(a) PROPANE : Fermer le gaz en réglant le robinet de la

bouteille de propane sur « CLOSED » (fermé).

(b) GAZ NATUREL : Fermer le gaz en réglant le robinet de la

conduite principale d'alimentation en gaz naturel sur « OFF » (fermé).

Ouvrir le couvercle et attendez ensuite 5 minutes afin que le gaz se dissipe avant de tenter à nouveau d'allumer le barbecue.

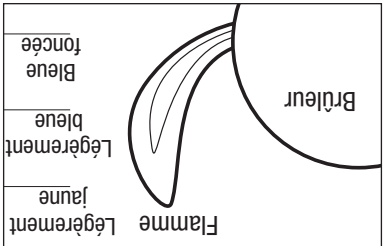


Illustration 6

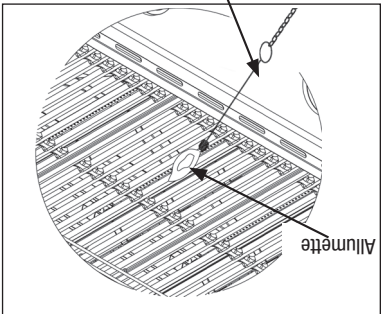


Illustration 5

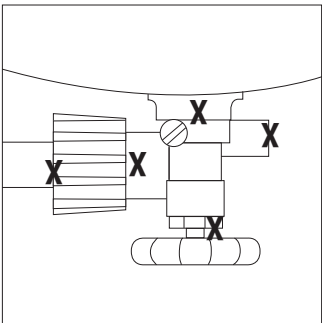


Illustration 4

Installer la bouteille de propane

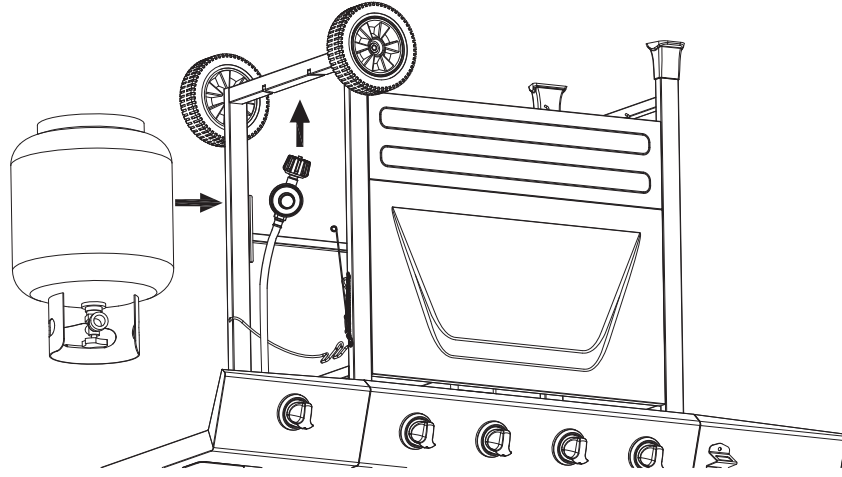
Il est nécessaire de brancher une bouteille de propane standard de 20 lb (9 kg) pour barbecue avec robinet à filetage externe.



La bouteille de propane doit être correctement débranchée et retirée avant de déplacer ce barbecue.

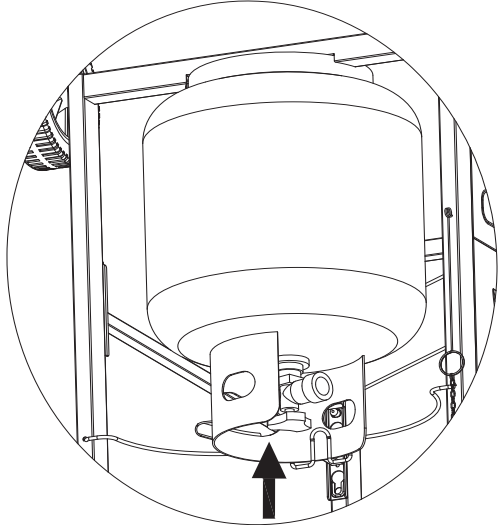
Insérer la bouteille de propane

1. Placez la bouteille de propane ayant été remplie avec précision debout, dans les crans du barbecue qui lui sont réservés dans la partie droite du cadre de manière à ce que l'entrée du robinet de gaz se trouve face au tuyau de gaz.

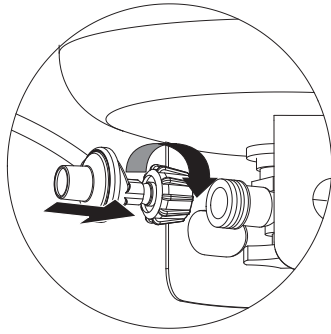


Fixer la bouteille de propane

Fixez la bouteille en glissant l'étrier de retenue par-dessus l'épaule de la bouteille de propane.



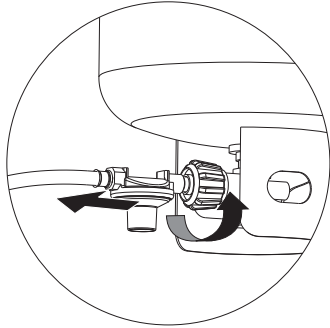
Brancher la bouteille de propane



1. Avant de procéder au branchement, assurez-vous de l'absence de débris dans la tête de la bouteille de propane, autour de la tête du régulateur ainsi que dans la tête du brûleur et dans les orifices du brûleur.
2. Branchez le régulateur et son tuyau sur la bouteille en tournant dans le sens des aiguilles d'une montre jusqu'au blocage.

Pour obtenir une autre bouteille de propane

Vous avez besoin d'une bouteille de gaz? Essayez notre service d'échange de bouteilles de propane. C'est un service facile, rapide, sans danger et présent dans des dizaines de milliers de points de vente partout dans le pays. Ces points de vente sont le plus souvent ouverts toute la nuit ainsi que les fins de semaine. Achetez une bouteille neuve remplie avec précision ou échangez votre bouteille vide contre une bouteille déjà remplie avec précision. Il vous est également possible de faire remplir votre bouteille auprès d'une station de remplissage. Vérifiez les heures d'ouverture de la station de remplissage.

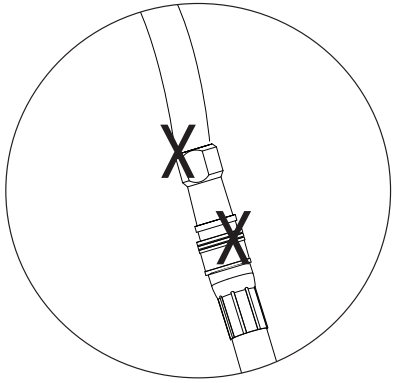


Installation de la conduite principale d'alimentation en gaz naturel

2. Branchez le tuyau souple de gaz naturel du barbecue sur la conduite principale d'alimentation en gaz naturel.

Débrancher le tuyau de gaz naturel

1. Before disconnecting, make sure the natural gas main line valve is "OFF."
2. Disconnect grill natural gas line from natural gas main line.



Détecter une fuite

Raccordement des brûleurs

1. Assurez-vous que le régulateur et son tuyau ont été correctement raccordés au brûleur et à la bouteille de gaz.
2. Vérifiez visuellement le branchement du tube de venturi du brûleur sur l'orifice.
3. Assurez-vous que le tube de venturi du brûleur est correctement placé sur l'orifice.

AVERTISSEMENT : Si vous ne vérifiez pas ce raccord et ne respectez pas ces instructions, vous risquez de provoquer un incendie ou une explosion pouvant entraîner des dégâts matériels, des blessures graves voire la mort.

4. Reportez-vous à l'illustration afin d'effectuer correctement l'installation (illustrations 1 et 2).
5. Si le tube du brûleur ne repose pas au ras de l'orifice, veuillez appeler notre service à la clientèle au 1.800.694.0013.

Raccordement de la bouteille et du tuyau de gaz

1. Préparez une solution d'environ 80 ml destinée à détecter les fuites en mélangeant un volume de liquide à vaisselle et 3 volumes d'eau.
2. Assurez-vous que les boutons de commande du barbecue sont tous sur « ARRÊT ». Reportez-vous à l'illustration 3.
3. PROPANE (GPL) : Branchez la bouteille de propane en suivant les instructions « Installer la bouteille de propane ».
4. GAZ NATUREL (GN) : Branchez le tuyau de gaz naturel en suivant les instructions « Installation de la conduite principale d'alimentation en gaz naturel ».

Détecter une fuite

Raccordement des brûleurs

1. Assurez-vous que le régulateur et son tuyau ont été correctement raccordés au brûleur et à la bouteille de gaz.
2. Vérifiez visuellement le branchement du tube de venturi du brûleur sur l'orifice.
3. Assurez-vous que le tube de venturi du brûleur est correctement placé sur l'orifice.

AVERTISSEMENT : Si vous ne vérifiez pas ce raccord et ne respectez pas ces instructions, vous risquez de provoquer un incendie ou une explosion pouvant entraîner des dégâts matériels, des blessures graves voire la mort.

4. Reportez-vous à l'illustration afin d'effectuer correctement l'installation (illustrations 1 et 2).
5. Si le tube du brûleur ne repose pas au ras de l'orifice, veuillez appeler notre service à la clientèle au 1.800.694.0013.

Raccordement de la bouteille et du tuyau de gaz

1. Préparez une solution d'environ 80 ml destinée à détecter les fuites en mélangeant un volume de liquide à vaisselle et 3 volumes d'eau.
2. Assurez-vous que les boutons de commande du barbecue sont tous sur « ARRÊT ». Reportez-vous à l'illustration 3.
3. PROPANE (GPL) : Branchez la bouteille de propane en suivant les instructions « Installer la bouteille de propane ».
4. GAZ NATUREL (GN) : Branchez le tuyau de gaz naturel en suivant les instructions « Installation de la conduite principale d'alimentation en gaz naturel ».

Fonctionnement

Illustration 1 : Brûleurs principaux

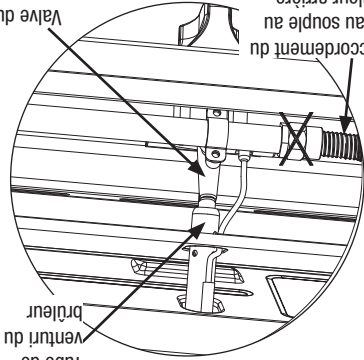


Illustration 3

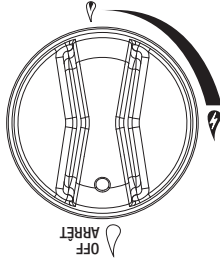
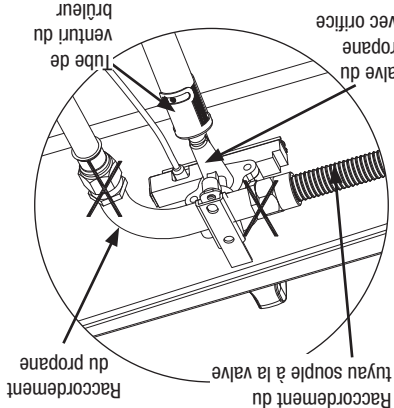
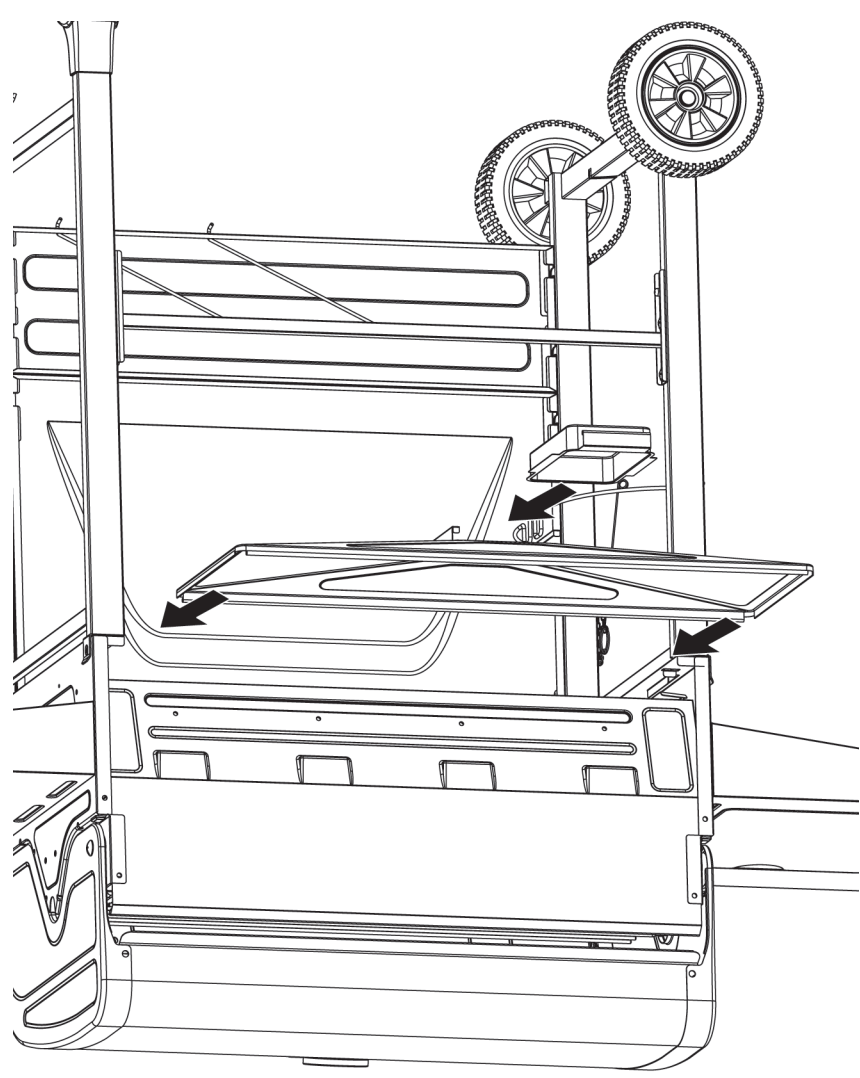


Illustration 2 : Brûleur latéral

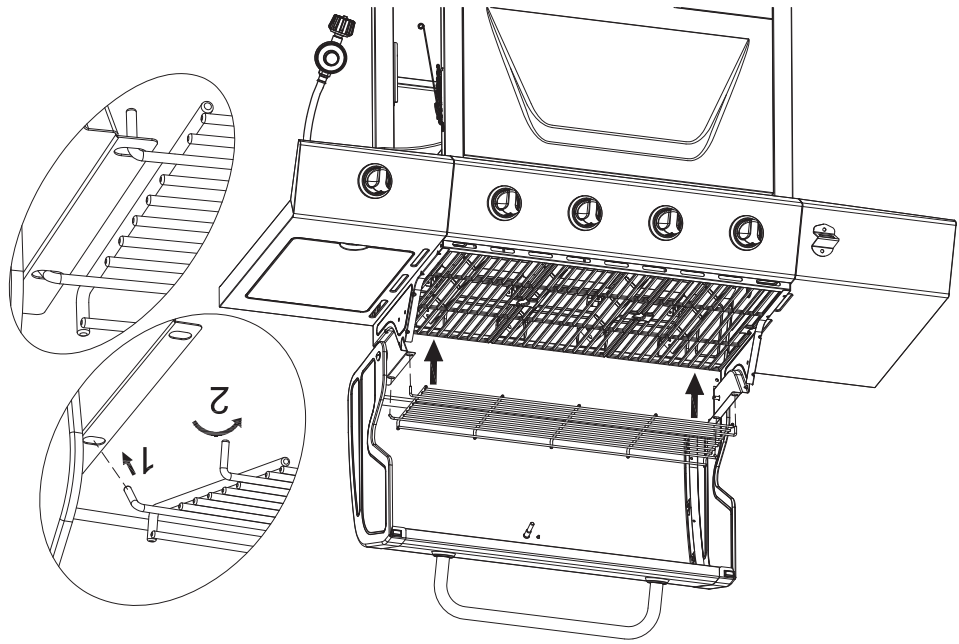


Trousse de conversion au gaz naturel
(modèle n° VFK1702W-C) disponible
chez Walmart ou sur le site Walmart.ca.



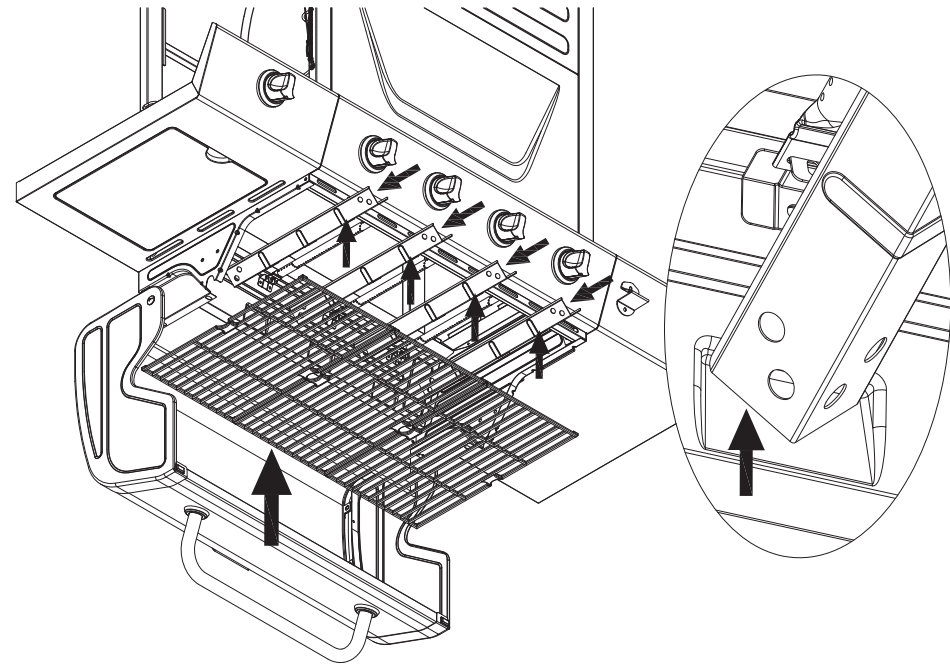
Insérer la plaque à graisse et le collecteur de graisse

19



Insérer la grille de réchauffage

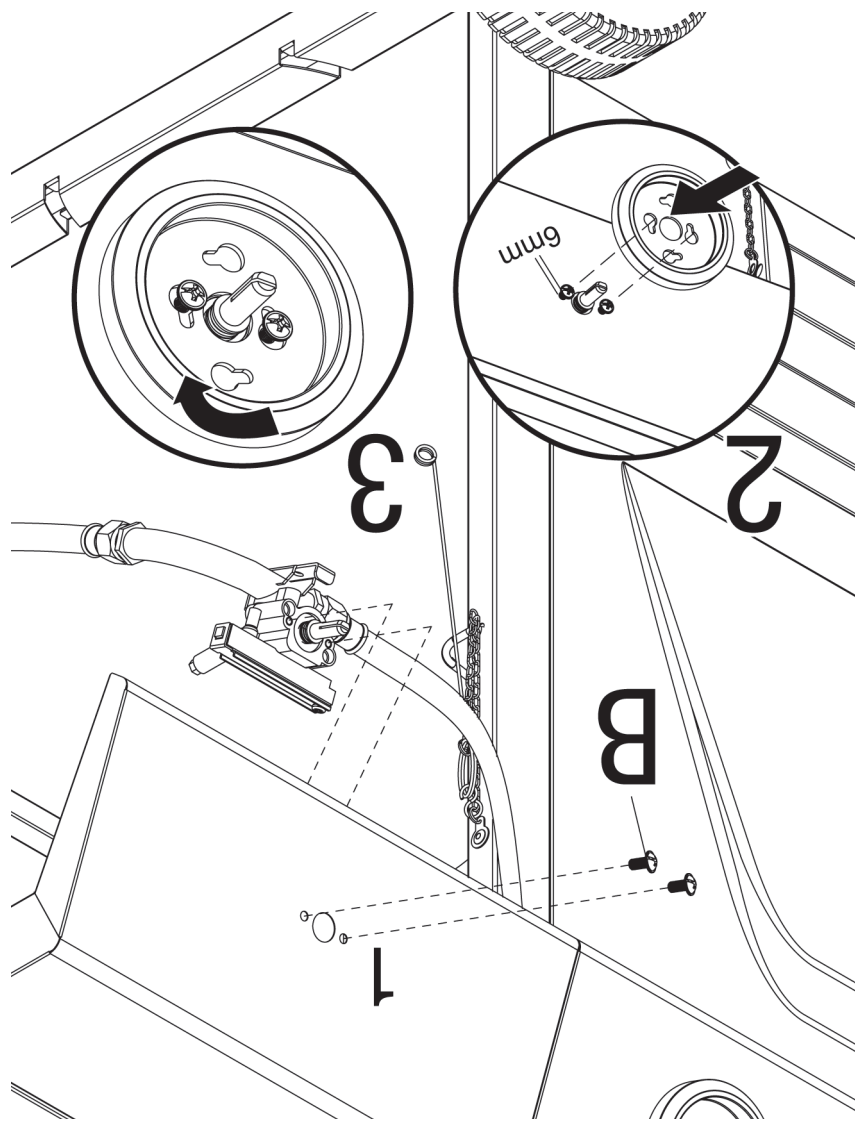
18



Insérer les diffuseurs de chaleur et les grilles de cuisson

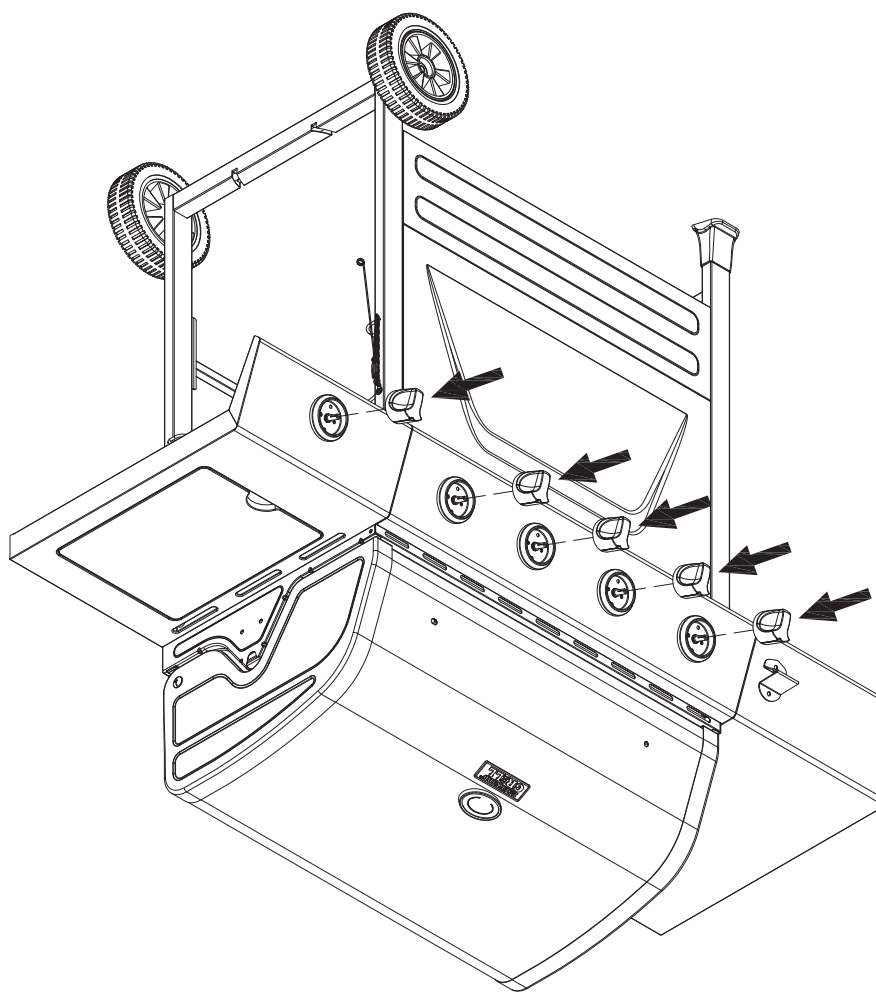
17

13 Fixer la valve de commande du brûleur latéral et le cadran du bouton de commande

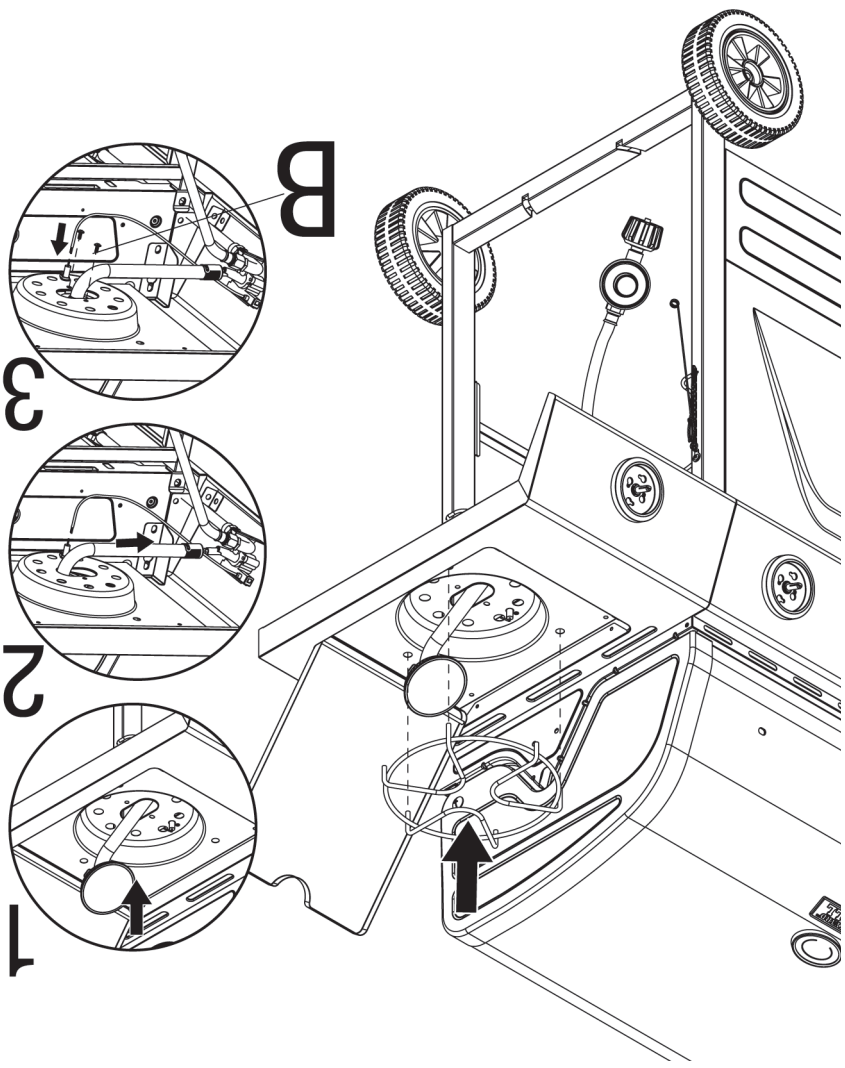


B x 2

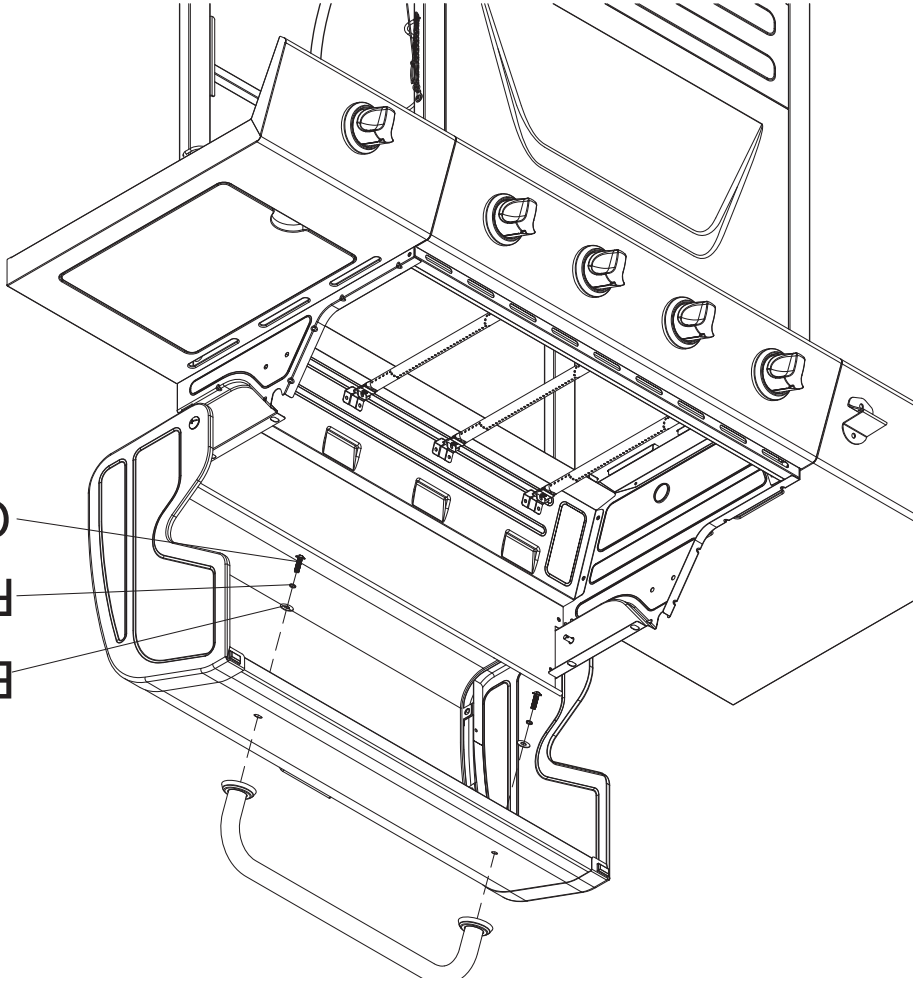
15 Fixer les boutons de commande



14 Insérer le brûleur latéral, la grille du brûleur latéral et le fil de l'allumeur



B x 2

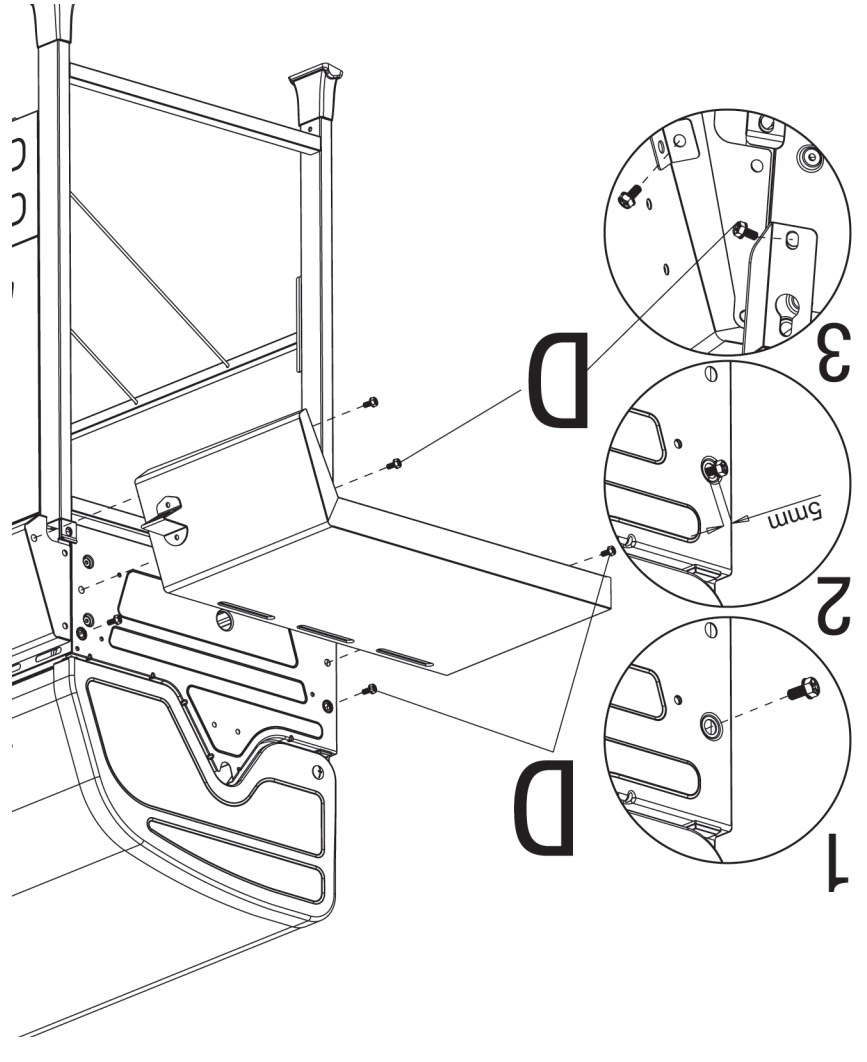
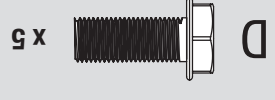


C x 2

F x 2

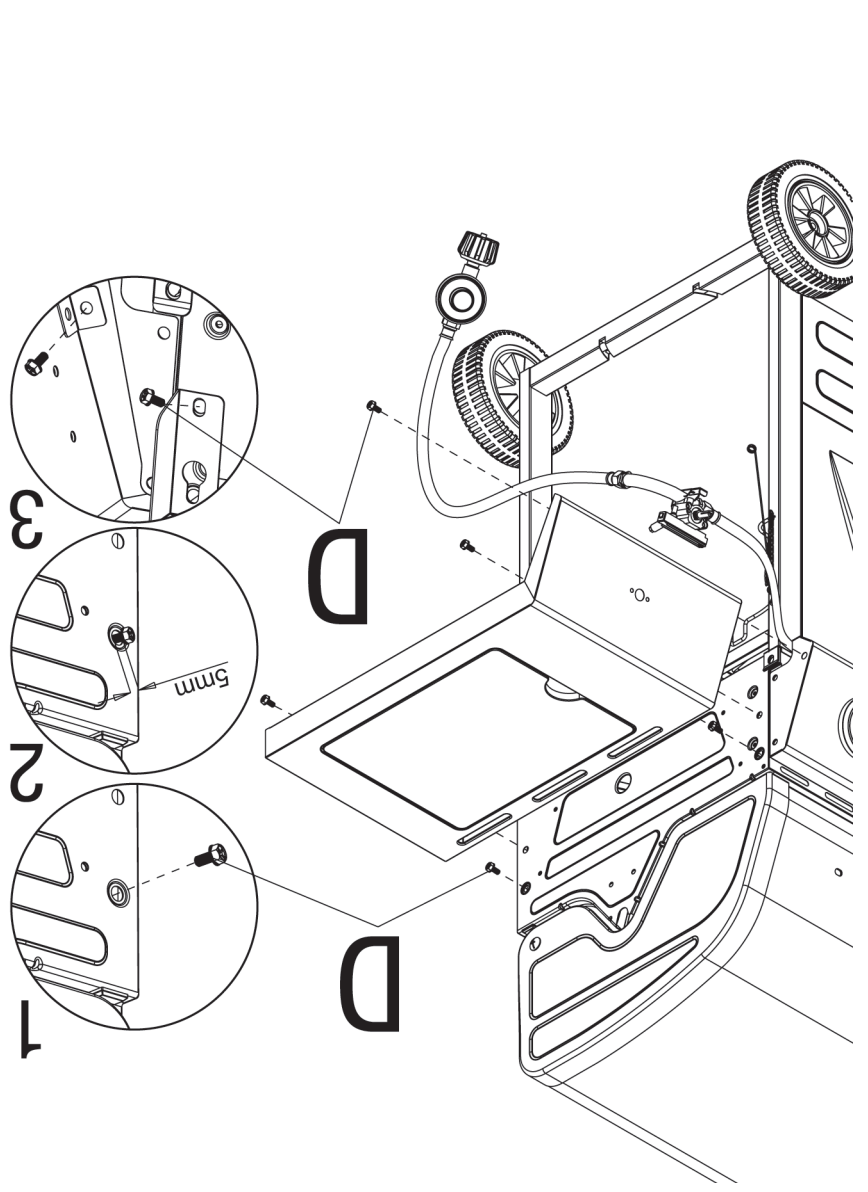
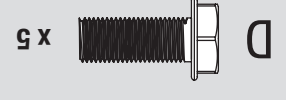
E x 2

16 Fixer la poignée du couvercle



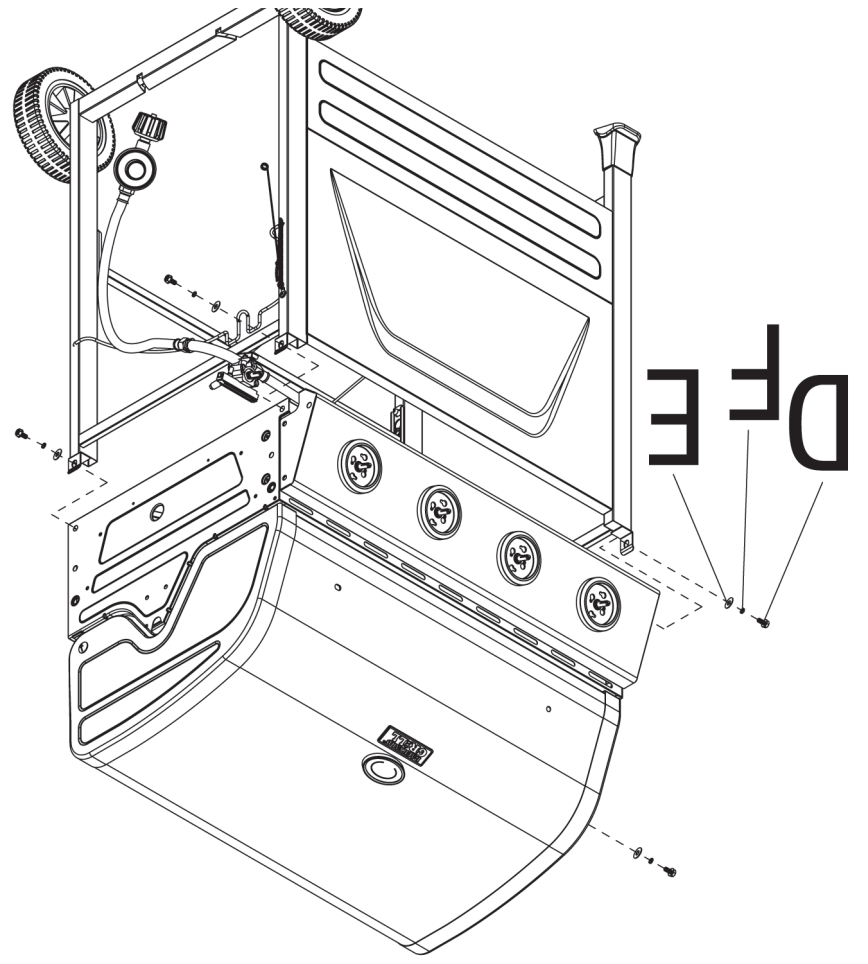
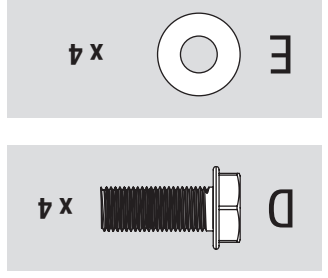
Remarque: Faites en sorte que 5 mm du filetage des boulons demeurent visibles.

1 Fixer la tablette gauche

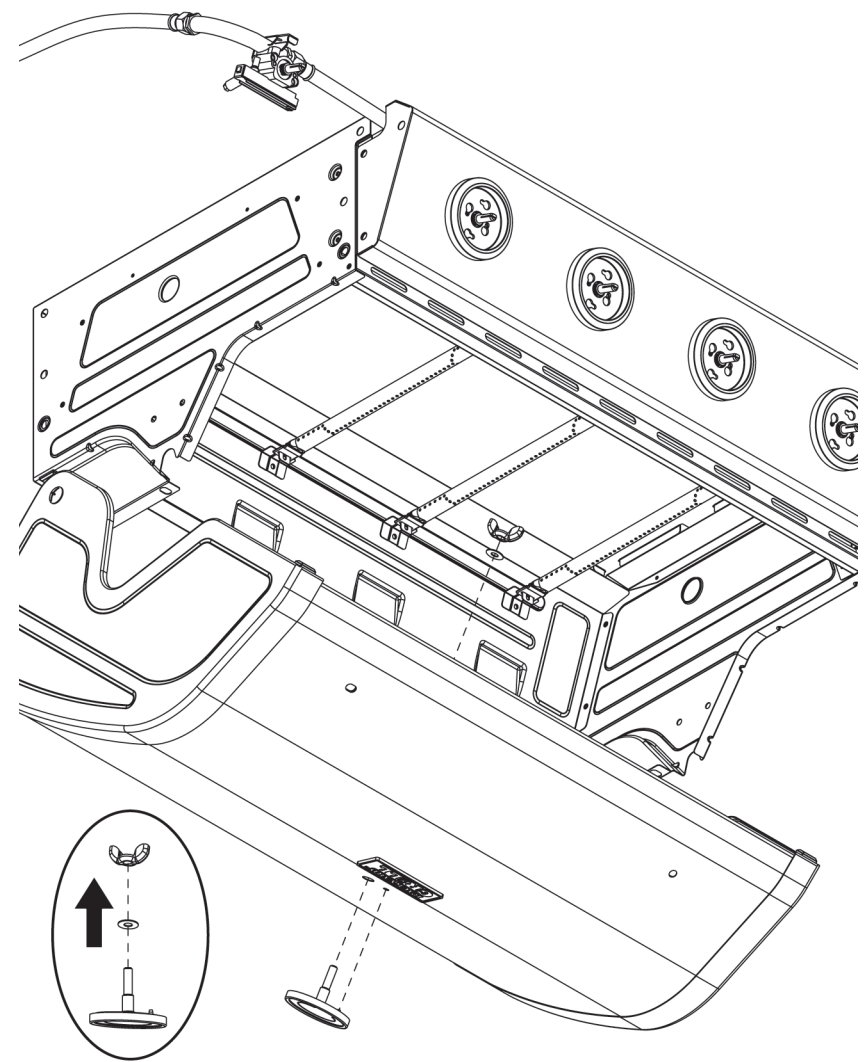


Remarque: Faites en sorte que 5 mm du filetage des boulons demeurent visibles.

2 Fixer la tablette droite

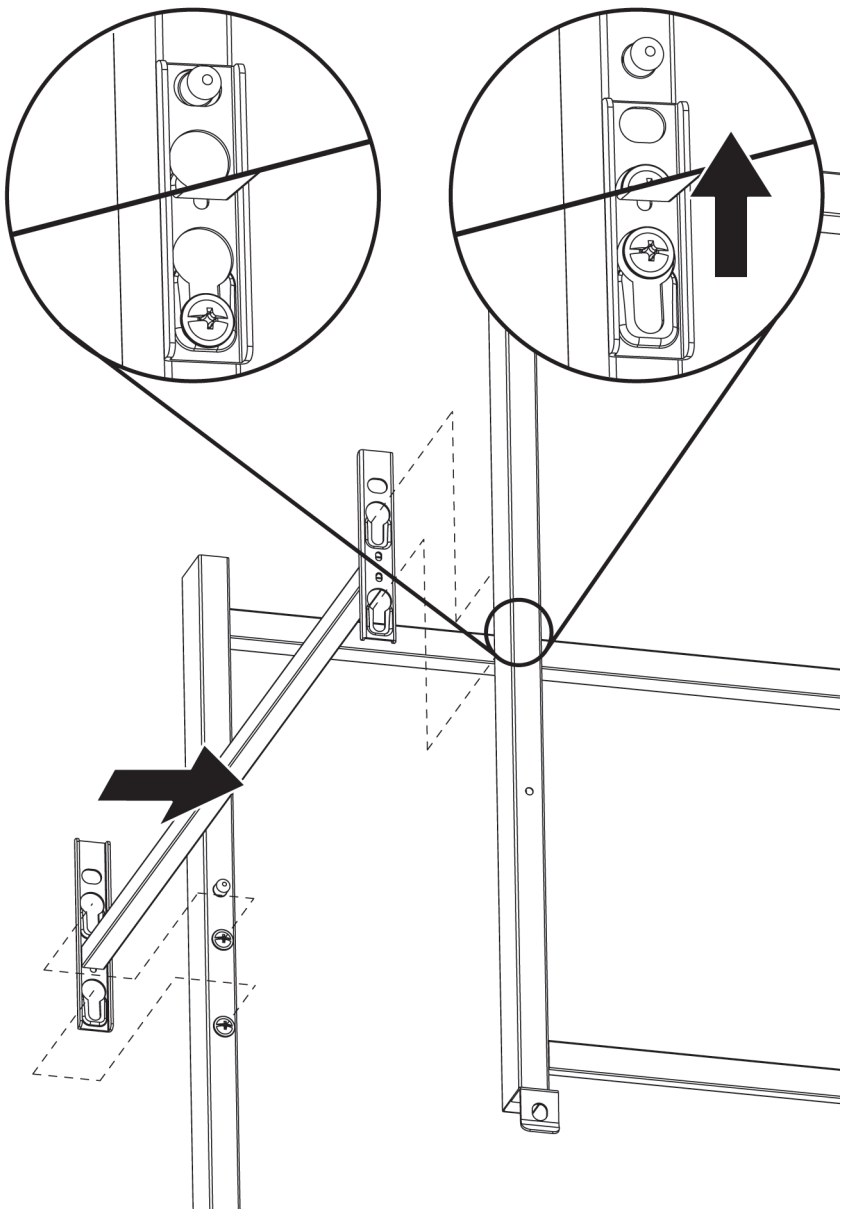


3 Fixer la cuve

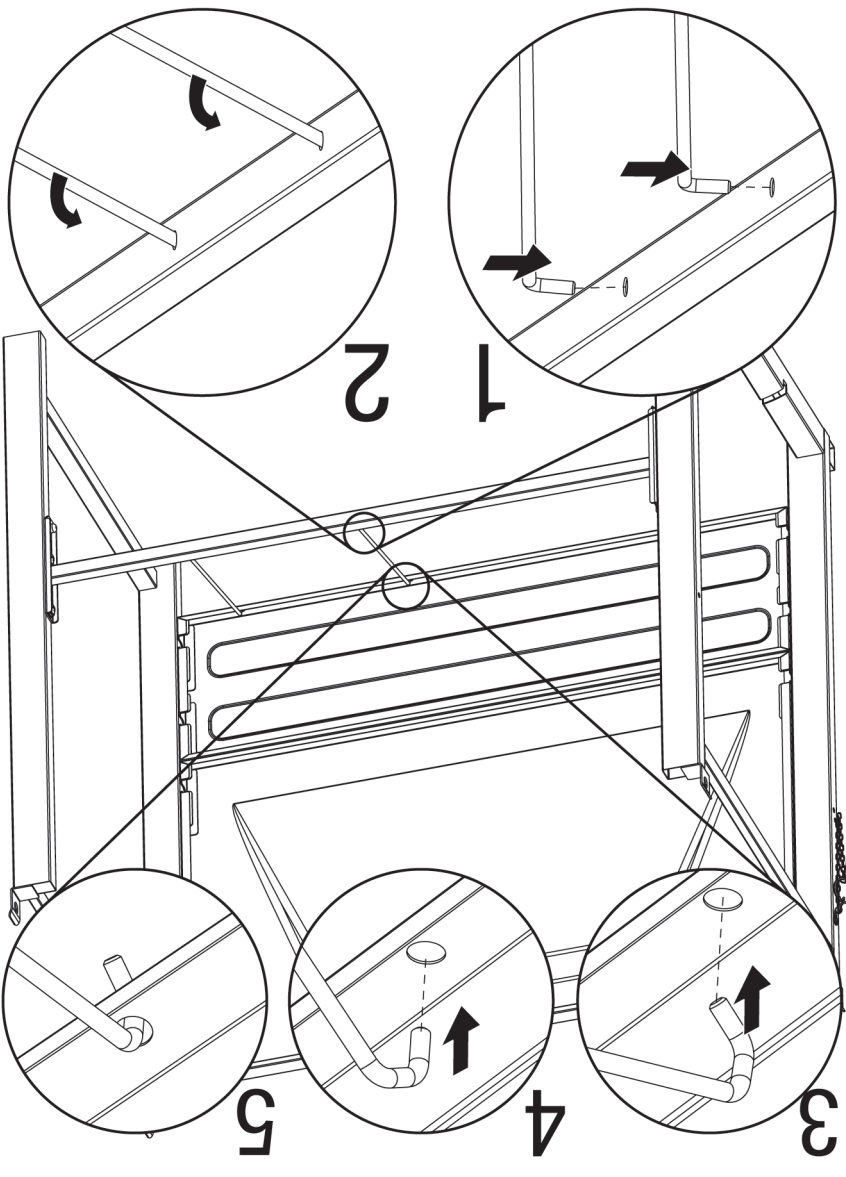


4 Fixer l'indicateur de température

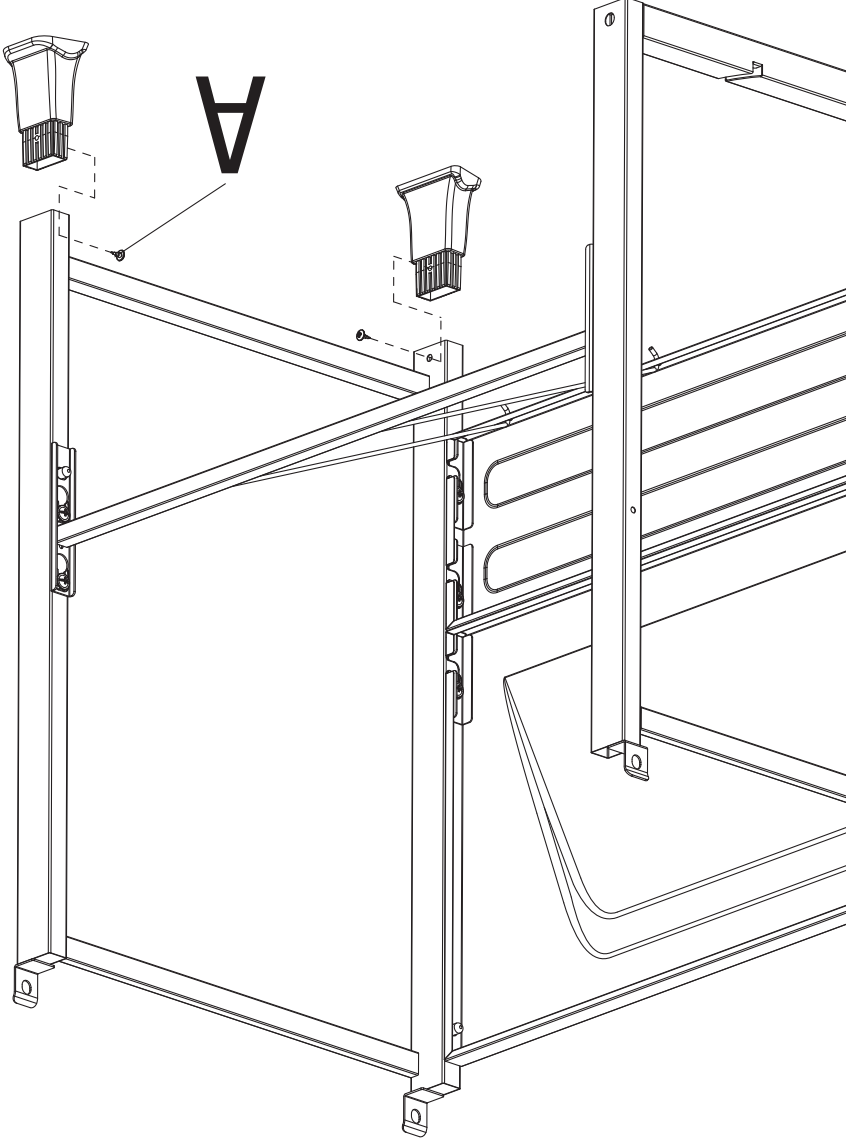
5 Fixer la barre de support arrière du cadre du chariot



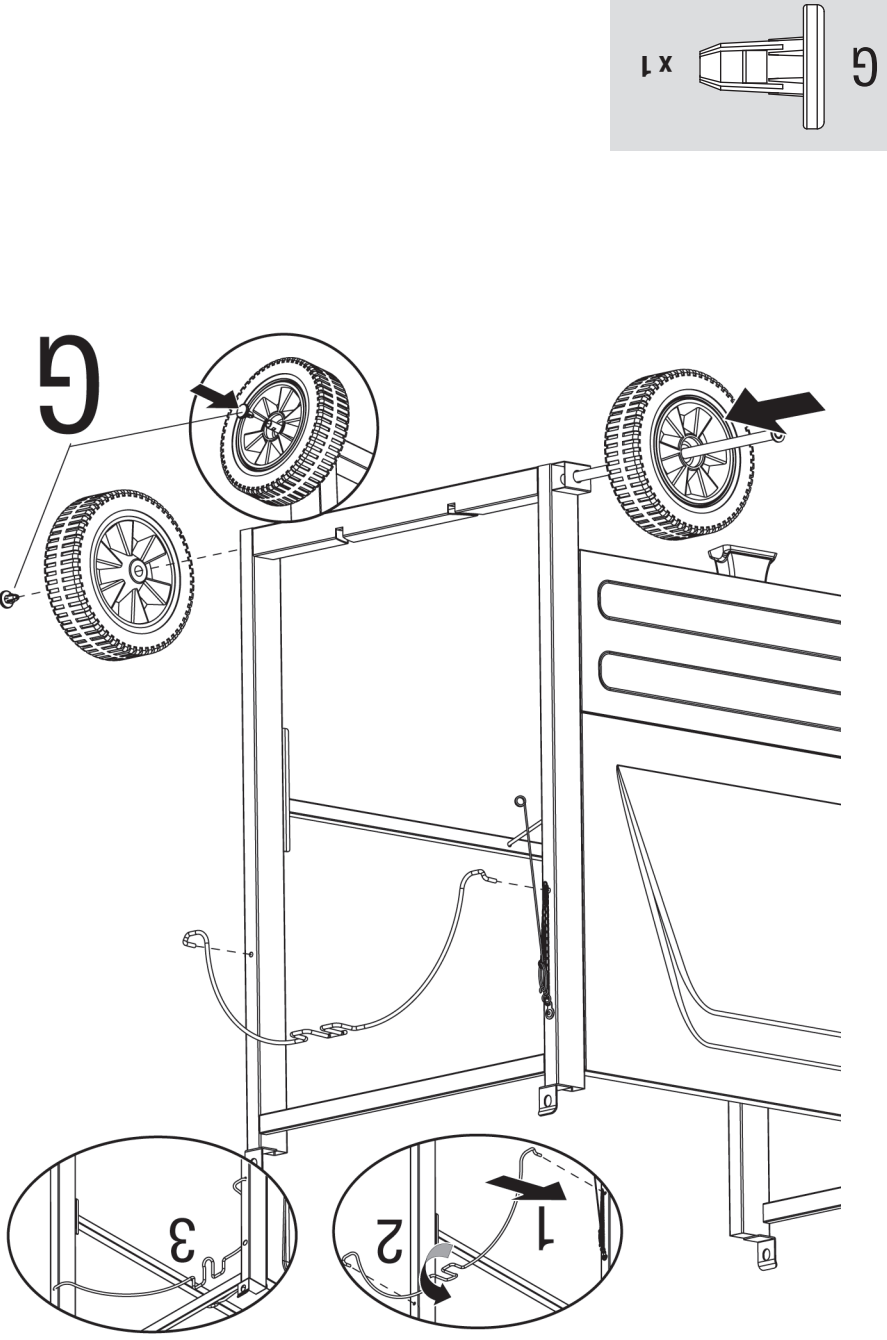
6 Fixer les tiges de support



7 Fixer les pieds et serrer toutes les vis de étapes 2-5



8 Fixer l'essieu, les roues et l'étrier de retenue de la bouteille de propane



1 NE PAS RETOURNER AU MAGASIN AVEC CET ARTICLE.

Pour toute assistance technique, appelez le numéro sans frais **1.800.694.0013**. Faites en sorte que votre manuel d'utilisation et le modèle numéro soient à portée de main afin de pouvoir vous y référer.

Remarque : Le numéro du modèle se trouve au dos du chariot.

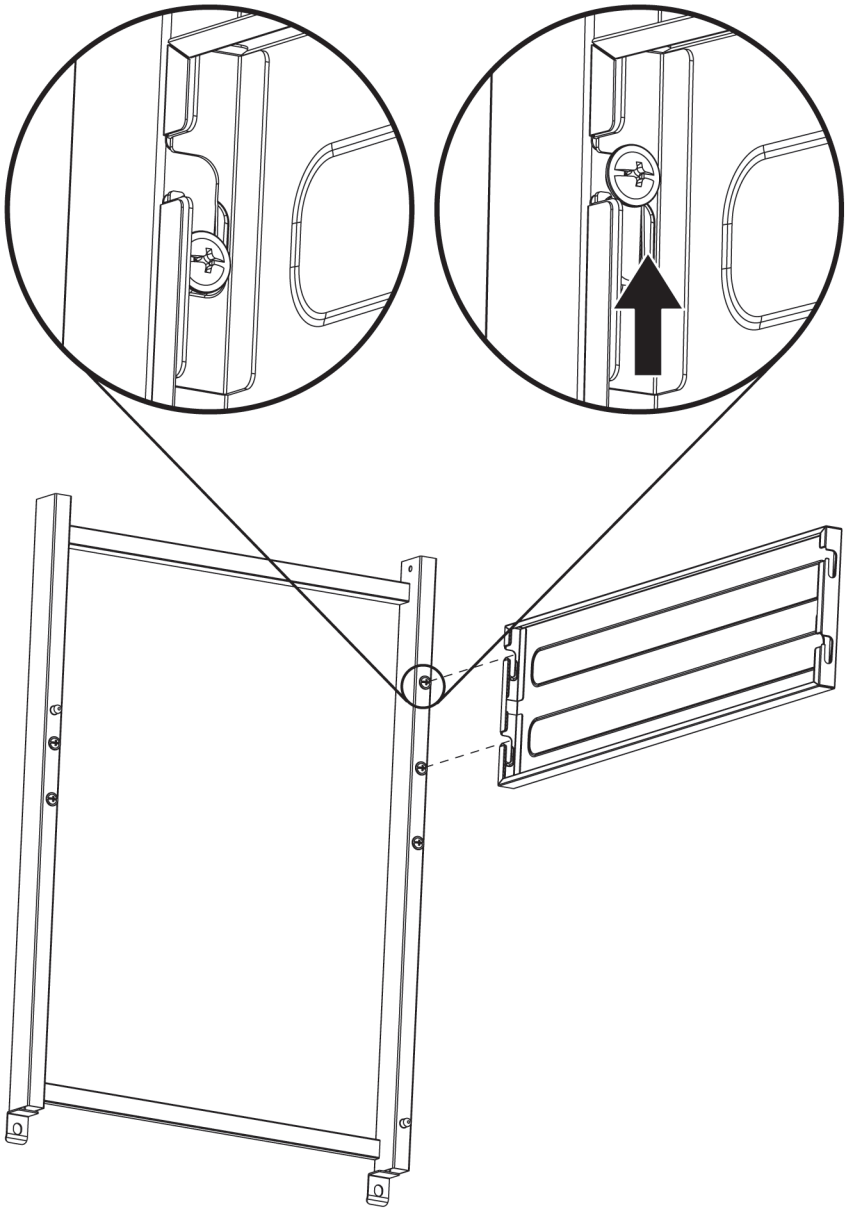
Pour faciliter l'assemblage:

1. Pour éviter de perdre des petites pièces ou la quincaillerie d'installation, assemblez cet article sur une surface plane qui ne comporte pas de trous ni de fissures.
 2. Étalez toutes les pièces et la quincaillerie d'installation.
 3. Serrez à la main toute les fixations et la visserie en premier. Une fois l'étape terminée, serrez-les complètement en veillant à ne pas trop les serrer afin d'éviter d'endommager la surface de l'appareil et de fausser le filetage.
 4. Suivez toutes les étapes dans l'ordre afin d'assembler correctement cet article.
- Pour effectuer l'assemblage, vous aurez besoin des choses suivantes:
- une (1) solution de détection de fuites (voir instructions sur la préparation de la solution au chapitre « Fonctionnement »).
 - **Propane (GPL)** : une (1) bouteille de propane liquide pour barbecue remplie avec précision avec raccord de robinet à filetage externe Acme de type 1 (barbecue taille standard).
 - **Gaz naturel (GN)** : une (1) troussé de conversion au gaz naturel (modèle n° VFK1702W-C) non comprise.

Temps d'assemblage: environ une (1) heure.

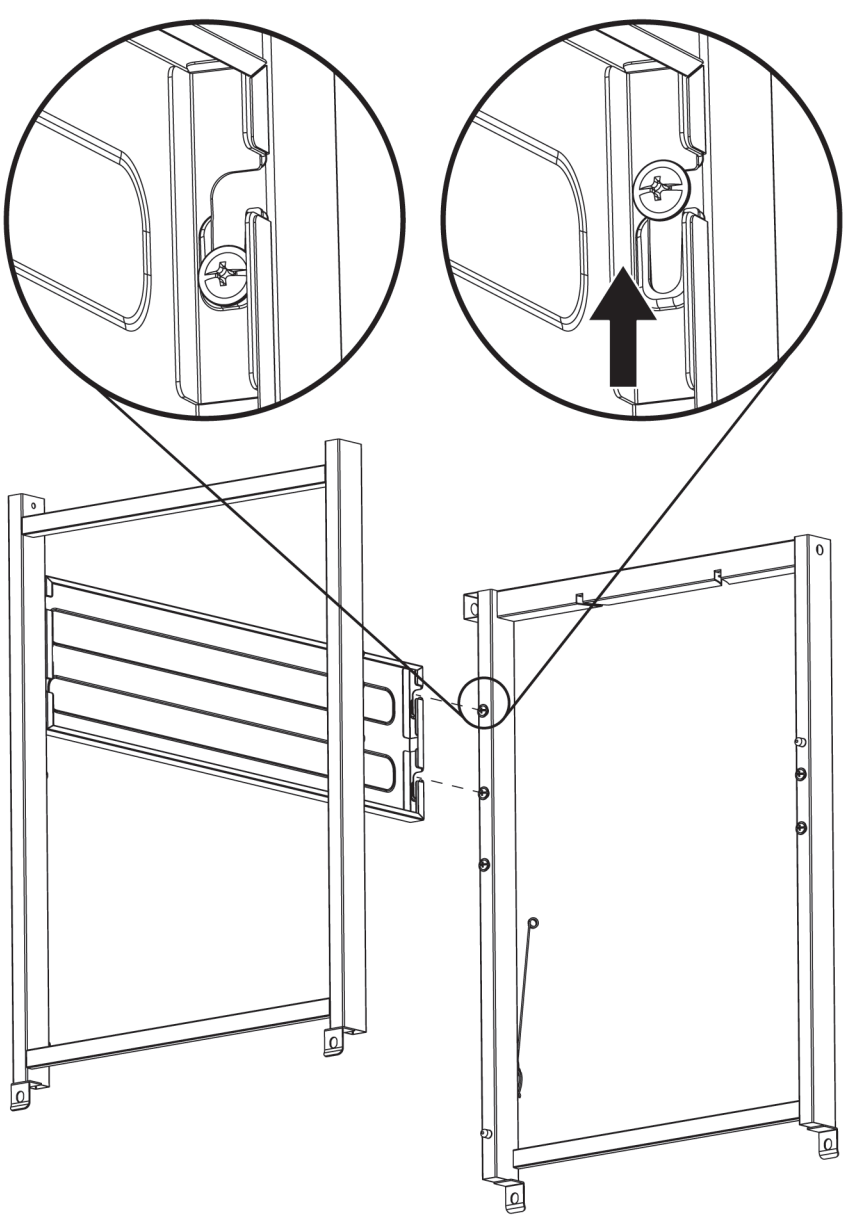
2

Fixer le cadre gauche du chariot



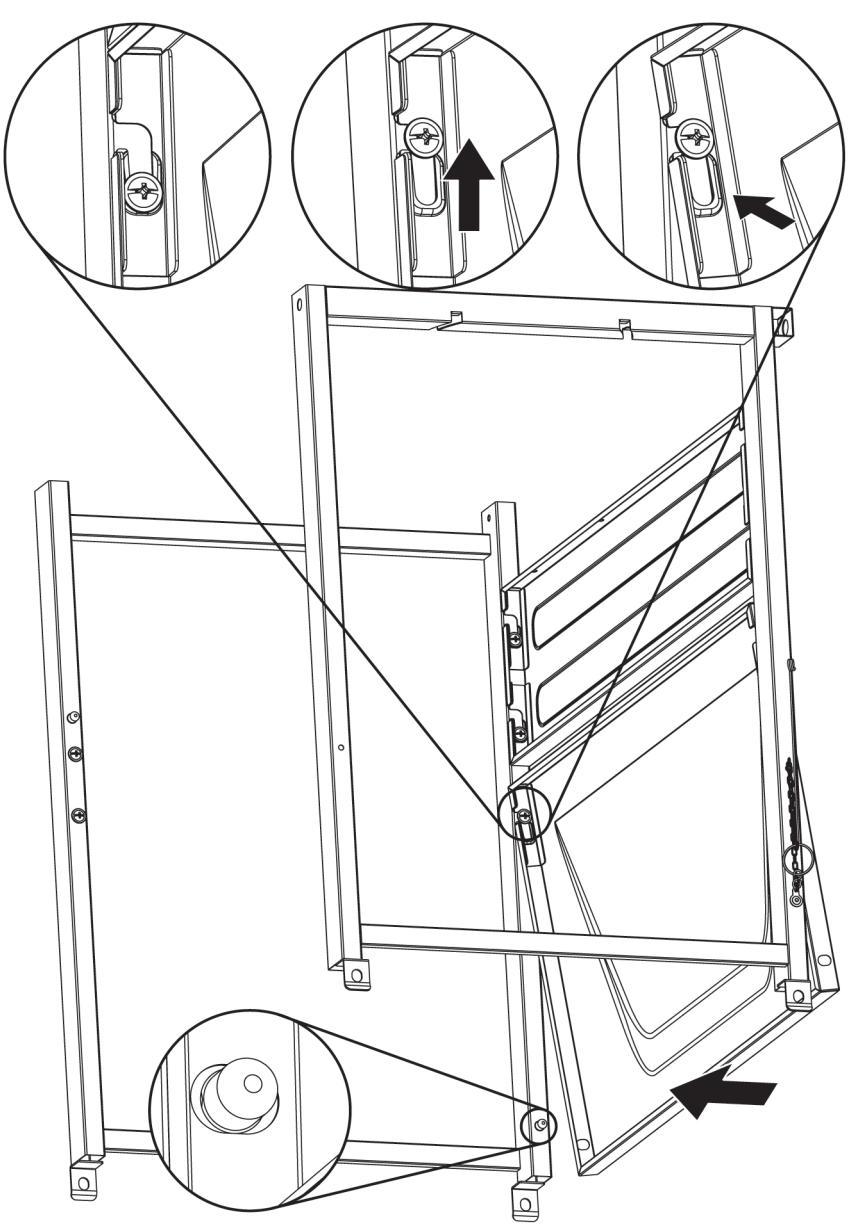
3

Fixer le panneau avant intérieur

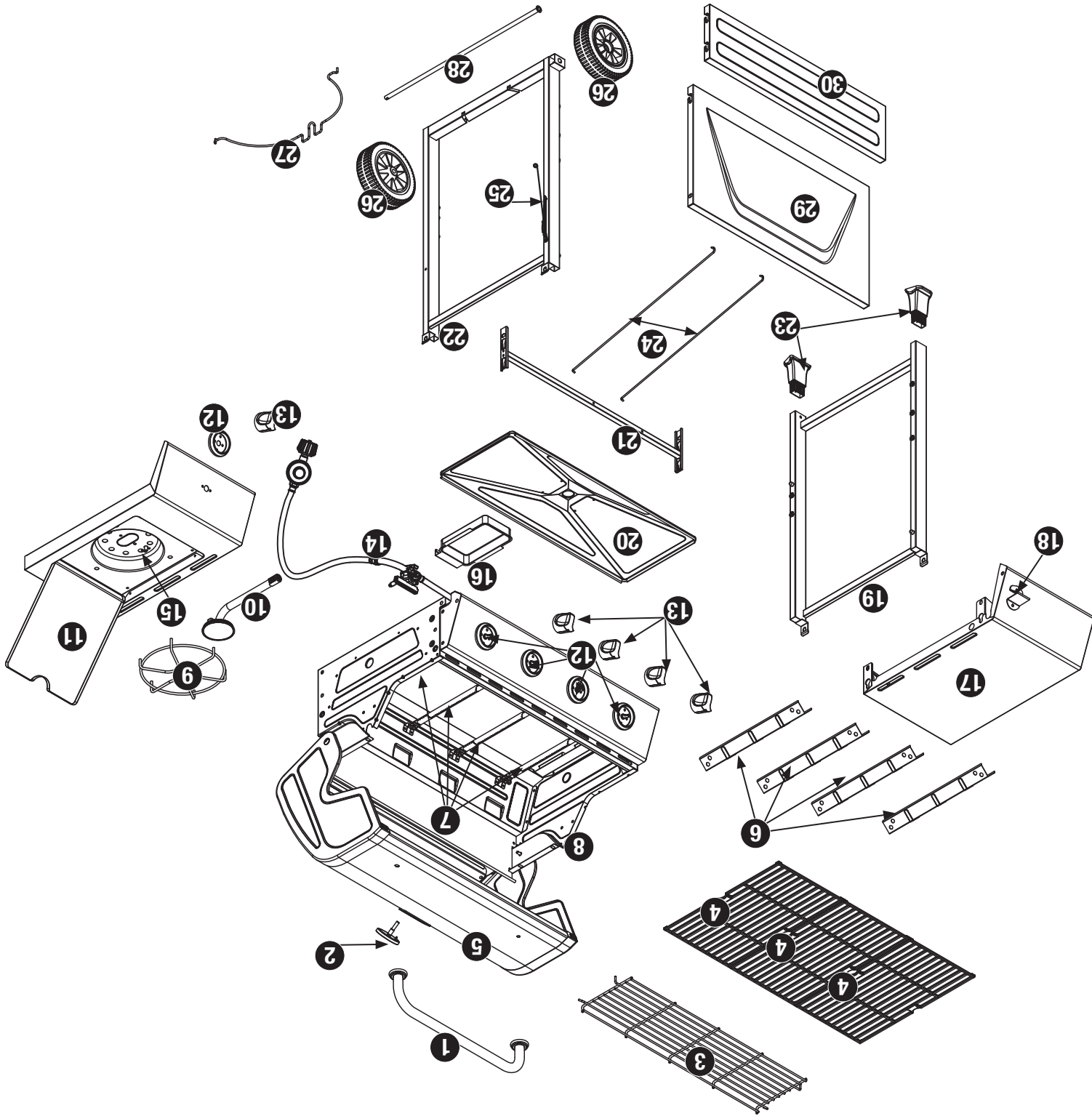


4

Fixer le panneau avant supérieur



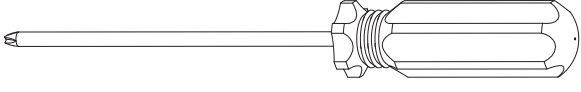
Vue éclatée



Liste des pièces

1	Poignée du couvercle	G1646-010
2	Indicateur de température	B0104-J70
3	Grille de réchauffage	G1646-020
4	Grille de cuisson (3)	G1646-030
5	Couvercle*	G1646-04R
6	Diffuseur de chaleur (4)	B0212-005
7	Brûleur (4)*	G1646-050
8	Cuve du barbecue*	G1748-060
9	Grille du brûleur latéral	B0404-D04
10	Brûleur latéral	G1646-070
11	Tablette droite	G1646-080
12	Cadran du bouton de commande (5)*	G1205-090
13	Bouton de commande (5)	G0900-100
14	Régulateur et tuyau*	B0308-A18
15	Electrode du brûleur latéral*	B0406-001
16	Collecteur de graisse	B0219-H08
17	Tablette gauche	G1646-110
18	Décapsuleur*	G1349-120
19	Cadre gauche du chariot	G1646-130
20	Plaque à graisse	G1646-140
21	Barre de support arrière du cadre du chariot	G1646-150
22	Cadre droit du chariot	G1646-160
23	Pieds (2)	G1349-170
24	Tige de support du cadre du chariot (2)	G1646-180
25	Tige d'allumage*	B0223-D04
26	Roue (2)	B0302-FA0
27	Étrier de retenue de la bouteille de propane	G1349-190
28	Essieu	G1646-200
29	Panneau avant supérieur	G1646-210
30	Panneau avant inférieur	G1646-220

Tournevis cruciforme Phillips n° 2 1 pc



Outils requis pour l'assemblage (fournis)

Quincaillerie

A	Vis	Nickelee, à tête bombée Phillips, ST4, 8x10	2 pcs
B	Vis	Nickelee, à tête bombée Phillips, M4 x 10	4 pcs
C	Vis	Nickelee, à tête bombée Phillips, M6x20	2 pcs
D	Boulon	Nickelee, à tête hexagonale Phillips, M6 x 16	14 pcs
E	Rondelle	Nickelee, ø6,4	6 pcs
F	Rondelle de blocage	Nickelee, ø6,5	6 pcs
G	Bouchon	Noir	1 pc

Consignes de sécurité importantes
AVERTISSEMENT

- g. NE PAS utiliser le barbecue avant d'avoir réparé toute les fuites.
- PROANE : S'il s'avère impossible d'arrêter une fuite, débrancher la bouteille de propane. Contacter un réparateur ou votre fournisseur de propane.
- GAZ NATUREL : S'il s'avère impossible d'arrêter une fuite, fermer le robinet de gaz du tuyau d'alimentation de gaz naturel. Contacter un réparateur ou votre compagnie du gaz.
- GAZ NATUREL : Cet appareil doit être isolé de la tuyauterie d'alimentation de gaz en fermant le robinet d'arrêt manuel lors de toute vérification de pression de la tuyauterie. Cet appareil et son robinet d'arrêt doivent être débranchés de la tuyauterie d'alimentation de gaz à chaque fois qu'un test de pression de la tuyauterie est effectué à une pression excédant ½ psi (3,5 kpa).
- GAZ NATUREL : Cet appareil doit être isolé de la tuyauterie d'alimentation de gaz en fermant le robinet d'arrêt manuel lors de toute vérification de pression de la tuyauterie d'alimentation de gaz à des pressions d'essai égales ou inférieures à ½ psi (3,5 kpa).
- Ce barbecue a été mis au point pour fonctionner avec la pression d'alimentation suivante : PROANE : 11 po. (28 cm) de colonne d'eau; GAZ NATUREL : 7 po. (18 cm) de colonne d'eau.
- NE PAS utiliser ni entreposer d'essence ou de liquides aux vapeurs inflammables à moins de 7,6 m (25 pieds) de cet appareil.
- NE PAS utiliser le barbecue en présence de vapeurs et émanations explosives. Veiller à ce que la zone autour du barbecue demeure dégagée et dépourvue de matières combustibles, d'essence et d'autres liquides aux vapeurs inflammables.
- S'assurer que toute matière combustible se trouve toujours à une distance de sécurité minimum de 92 cm (36 po.) sur les côtés et derrière le barbecue. NE PAS utiliser ce barbecue sous un toit ou une structure quelconque suspendue, en saillie ou en surplomb au-dessus du barbecue.
- Il est primordial que le compartiment de la valve de commande du barbecue, les brûleurs et les passages par où l'air circule demeurent propres.
- Vérifier le barbecue avant chaque utilisation.
- Ne modifier en aucune façon le barbecue. Toute modification ou altération entraînera l'annulation de la garantie.
- NE PAS utiliser le barbecue à moins qu'il ne soit COMPLÈTEMENT assemblé et que les pièces ne soient toutes fixées et serrées.
- NE PAS placer ce type de barbecue dans un espace où le barbecue sera encasté. Le non-respect de cette mise en garde risque de provoquer une explosion ou un incendie et d'entraîner des dégâts matériels, des blessures graves voire la mort.
- Ce barbecue doit être vérifié et nettoyé en entier régulièrement.
- Nettoyer et inspecter le tuyau à chaque fois, avant d'utiliser l'appareil. En cas d'abrasion, d'usure, de coupures ou de fuite, le tuyau doit être remplacé avant que cet appareil ne soit mis en fonctionnement.
- Utiliser uniquement le régulateur et le tuyau fournis. Le régulateur et le tuyau de recharge doivent être ceux spécifiés par RevOAce Inc. Limited. Utiliser uniquement des pièces agréées de l'usine RevOAce Inc. Limited L'emploi de toute pièce non agréée peut être dangereuse et entraînera l'annulation de la garantie.
- NE PAS utiliser cet appareil avant de lire le chapitre « Fontionnement » de ce manuel.
- NE PAS toucher les pièces métalliques du barbecue avant qu'il n'ait complètement refroidi (attendre environ 45 minutes) afin de ne pas se brûler à moins de porter des vêtements de protection (gants, maniques, attirail de barbecue, etc.).
- NE PAS installer ni utiliser cet appareil à bord d'un bateau ou d'un véhicule récréatif.
- Lors de la cuisson, conserver toujours à portée de main des articles ou matières capables d'éteindre le feu. En cas de feu de graisse, ne tentez pas d'éteindre le feu avec de l'eau. Utiliser un extincteur à poudre BC ou étouffez le feu avec de la terre, du sable ou du bicarbonate de soude.
- NE PAS utiliser le barbecue par grand vent.
- NE jamais se pencher au-dessus du barbecue pour l'allumer.
- NE jamais laisser un barbecue allumé sans surveillance surtout si des enfants ou des animaux domestiques et de compagnie se trouvent à proximité.
- NE PAS laisser le barbecue sans surveillance lorsqu'il est en phase de préchauffage ni après la cuisson pour éliminer des résidus de nourriture par chaleur intense avec le brûleur sur son réglage maximum. Si le barbecue n'est pas nettoyé, un feu de graisse risque de se produire et d'endommager le barbecue.
- NE PAS placer de récipient vide sur le barbecue lorsqu'il est allumé.
- Faire preuve de précautions au moment de placer quelque chose sur le barbecue lorsqu'il est allumé.
- NE PAS essayer de déplacer le barbecue refroidir avant de le déplacer ou de le remettre.
- La bouteille de propane doit être débranchée et retirée avant de déplacer le barbecue.
- Le remisage du barbecue à l'intérieur est autorisé seulement si la bouteille a été débranchée et retirée de l'appareil et correctement entreposée à l'extérieur.
- Veiller à toujours ouvrir le couvercle du barbecue lentement et avec précaution car la chaleur et la vapeur piégées à l'intérieur risquent de provoquer de graves brûlures.
- NE PAS tenter de débrancher le régulateur de gaz de la bouteille ou de débrancher une pièce quelconque de l'alimentation du gaz lorsque le barbecue est allumé.
- Placer toujours le barbecue sur une surface plane et dure. Il est déconseillé de le placer sur de l'asphalte ou du bitume.
- Placer les tuyaux souples de gaz le plus loin possible des surfaces chaudes et de l'égouttage des graisses brillantes.
- Veiller à ce que les câbles et cordons électriques demeurent toujours loin du barbecue lorsqu'il est chaud.
- Après une période de remisage ou si le barbecue n'a pas été utilisé pour une certaine période, s'assurer qu'il n'y a pas de fuite et que les brûleurs ne sont pas bouchés. Vérifier également que le tuyau ne présente pas de traces d'abrasion, d'usure ou de coupures.
- Le fait de ne pas maintenir le couvercle ouvert lors de l'allumage des brûleurs du barbecue ou de ne pas attendre 5 minutes afin que le gaz se dissipe au cas où le barbecue ne s'allume pas, risque de provoquer une flamme soudaine explosive.
- Ne jamais utiliser le barbecue sans avoir installé auparavant le(s) diffuseur(s) de chaleur.
- Veiller à toujours utiliser un thermomètre à viande afin de s'assurer que la nourriture est cuite à une température adéquate.
- Porter des gants de protection pour assembler cet article.
- NE PAS forcer les pièces les unes dans les autres afin d'éviter toute blessure et éviter d'endommager cet article.
- Ne jamais recouvrir complètement la zone de cuisson avec du papier d'aluminium.
- Les consignes ci-dessus doivent être strictement respectées et le non-respect de ces consignes risque de provoquer des dégâts matériels ou d'entraîner des blessures graves voire la mort.



- ▲ Ce barbecue doit être utilisé uniquement à l'extérieur et ne doit pas être utilisé dans un immeuble, un garage ou tout autre espace clos.
- ▲ NE PAS utiliser ou allumer cet appareil à moins de 3,05 m (10 pieds) de tout mur, construction ou immeuble.
- ▲ Pour usage domestique seulement. Ce barbecue N'est PAS destiné à un usage commercial.
- ▲ Ce barbecue n'est pas sensé être utilisé pour se chauffer et ne devrait jamais être utilisé en tant que chauffage d'appoint. Des émanations TOXIQUES peuvent s'accumuler et provoquer l'asphyxie.
- ▲ Ce barbecue est homologué afin de pouvoir être utilisé en toute sécurité uniquement aux États-Unis et au Canada. NE PAS modifier ce barbecue afin de pouvoir l'utiliser autre part. Toute modification ou altération présentera un danger de fonctionnement.
- ▲ Ce barbecue est expédié de l'usine prêt à fonctionner avec du propane (GPL). Toute utilisation de gaz naturel avec ce barbecue ou tentative de conversion au gaz naturel de ce barbecue est dangereuse et entraînera l'annulation de la garantie.
- ▲ Ce barbecue est expédié de l'usine prêt à fonctionner avec du propane (GPL). La trousse de conversion au gaz naturel n° VFK1002W-C peut être utilisée pour adapter votre barbecue afin de pouvoir l'utiliser avec du gaz naturel. Toute utilisation d'une autre trousse de conversion est dangereuse et entraînera l'annulation de la garantie.
- ▲ Caractéristiques du propane (GPL) :
 - a. Le propane est un gaz inflammable et dangereux si ce dernier n'est pas manipulé correctement. Il est indispensable de connaître les dangers encourus avant d'utiliser tout appareil fonctionnant au propane.
 - b. Le propane est un gaz inflammable qui risque d'exploser sous pression. Le propane qui risque d'exploser sous pression, est plus lourd que l'air, se dépose et demeure au sol.
 - c. Le propane à l'état naturel est inodore. Pour votre sécurité, un odorisant ayant l'odeur de choux avariés a été ajouté.
 - d. Tout contact du propane avec la peau risque d'entraîner des engelures.
- ▲ Caractéristiques du gaz naturel (GN) :
 - a. Le gaz naturel est un gaz inflammable et dangereux si ce dernier n'est pas manipulé correctement. Il est indispensable de connaître les dangers encourus avant d'utiliser tout appareil fonctionnant au gaz naturel.
 - b. Le gaz naturel est un gaz inflammable qui risque d'exploser sous pression. Le gaz naturel qui risque d'exploser sous pression, est plus lourd que l'air, se dépose et demeure au sol.
 - c. Le gaz naturel à l'état naturel est inodore. Pour votre sécurité, un odorisant ayant l'odeur de choux avariés a été ajouté.
 - d. Tout contact du gaz naturel avec la peau risque d'entraîner des engelures.
- ▲ Avis aux personnes habitant en appartements : Vérifier auprès de la gérance pour connaître les conditions requises, la réglementation et le code de prévention des incendies de votre complexe d'habitations collectives pour l'utilisation d'un barbecue au propane. Si permis, utiliser le barbecue en le posant au sol en laissant une distance de sécurité de 3,05 m (10 pieds) entre le barbecue et toute structure. NE PAS utiliser sur ou sous un balcon.
- ▲ Seules les bouteilles marquées « propane » peuvent être utilisées.
- ▲ La bouteille de propane doit être fabriquée, marquée et mise en service conformément à la *Réglementation sur les bouteilles de gaz de pétrole liquéfié établie par le Ministère des États-Unis (DOT) ou répondre à la Norme nationale du Canada, CAN/CSAB339 sur les bouteilles, sphères et tubes destinés au transport de produits dangereux et la commission.*
- ▲ La bouteille de propane doit être placée afin de permettre l'extraction des vapeurs de gaz.
- ▲ La bouteille de propane doit être équipée d'un système d'arrêt volumétrique (OPD) empêchant tout remplissage excessif.
- ▲ Utiliser uniquement des bouteilles de propane équipées d'un dispositif de branchement compatible avec le raccord d'un appareil de cuisson de plein air.
- ▲ La bouteille de propane doit posséder un col afin de protéger le robinet et la valve de la bouteille.
- ▲ Ne jamais utiliser une bouteille de propane si le corps, le robinet, le col ou le socle sont endommagés.
- ▲ Toute bouteille bosselée ou présentant des traces de rouille risque d'être dangereuse et devrait être vérifiée par votre fournisseur avant de l'utiliser.
- ▲ NE PAS laisser tomber la bouteille de propane ni la manipuler brusquement ou brutalement!
- ▲ Les bouteilles de propane doivent être entreposées à l'extérieur, hors de la portée des enfants et ne doivent pas être entreposées dans un bâtiment, un garage ou dans tout autre lieu fermé. Les bouteilles de gaz ne doivent jamais être entreposées dans un endroit où la température risque de dépasser 51,6°C (125°F)!
- ▲ NE PAS introduire d'outil ni de corps étranger dans la sortie du robinet de la bouteille de gaz ni dans la soupape de sécurité. Vous risquez blessures graves voire la mort.
- ▲ NE PAS bloquer ni boucher les trous sur les côtés ou à l'arrière du barbecue.
- ▲ Ne jamais garder une bouteille de propane pleine dans une voiture ou dans le coffre d'une voiture sous une forte chaleur. La chaleur peut provoquer une augmentation de la pression du gaz, pouvant provoquer l'ouverture de la soupape de sécurité et laissera s'échapper de gaz.
- ▲ Mettre un bouchon antipoussière sur la sortie du robinet d'une bouteille qui n'est pas utilisée. Utiliser uniquement le type de bouchon antipoussière fourni avec le robinet de la bouteille. D'autres types de bouchons pourraient ne pas être étanches et permettre des fuites de propane.
- ▲ Fermer le gaz et débrancher la bouteille lorsque le barbecue n'est pas utilisé.
- ▲ Ne jamais entreposer une bouteille de propane de rechange sous ou à proximité de cet appareil.
- ▲ Ne jamais remplir la bouteille de propane à plus de 80% de sa capacité.
- ▲ Les consignes ci-dessus doivent être strictement respectées et le non respect de ces consignes risque de provoquer un incendie et d'entraîner des dégâts matériels ou des blessures graves.
- ▲ Ne jamais essayer de raccorder ce barbecue au circuit de propane d'une tente-caravane, autocaravane ou de votre maison.
- ▲ Ne jamais utiliser de charbon de bois, de liquide allume-barbecue, de pierres de lave, d'essence, de kérosène, de pétrole lampant ou d'alcool avec ce barbecue.
- ▲ Votre barbecue a été vérifié en usine afin de s'assurer que les raccords ne présentent aucune fuite. Vérifier à nouveau tous les raccords en suivant les instructions du chapitre « Fonctionnement » du manuel car il est possible qu'ils se soient desserrés lors du transport.
- ▲ Vérifier que l'appareil ne présente aucune fuite même si ce dernier a été assemblé pour vous par quelqu'un d'autre.
- ▲ NE PAS utiliser le barbecue en cas de fuite de gaz. Toute fuite de gaz risque de provoquer un incendie ou une explosion.
- ▲ Il est obligatoire de suivre toutes les procédures de détection de fuite avant d'utiliser cet appareil. Afin d'éviter tout risque d'incendie et d'explosion lorsque l'on recherche une fuite :
 - a. Vérifier que le circuit ne présente pas de fuite en effectuant un « test d'étanchéité » avant d'allumer le barbecue à chaque fois que la bouteille de gaz est branchée afin de l'utiliser.
 - b. Interdiction de fumer. NE PAS utiliser ni laisser de sources d'ignition à proximité du barbecue lorsque l'on recherche une fuite.
 - c. Effectuer le test d'étanchéité en plein air, dans un emplacement bien aéré.
 - d. NE PAS utiliser d'allumettes, de briquets ou de flamme nue afin de rechercher une fuite.
 - e. La prise d'alcool, de médicaments ou de drogues risque de nuire à l'aptitude de l'utilisateur à assembler ou à utiliser cet appareil en toute sécurité.
 - f. La présence de fortes odeurs, ou si vous avez un rhume ou des sinus bouchés, risque de nuire à la détection d'une fuite de propane. Faites preuve de prudence et de bon sens lorsque vous effectuez un test d'étanchéité et recherchez une fuite.

Barbecue d'extérieur au propane

Modèle n° GBC1748WRSB-C, GBC1748WBSB-C

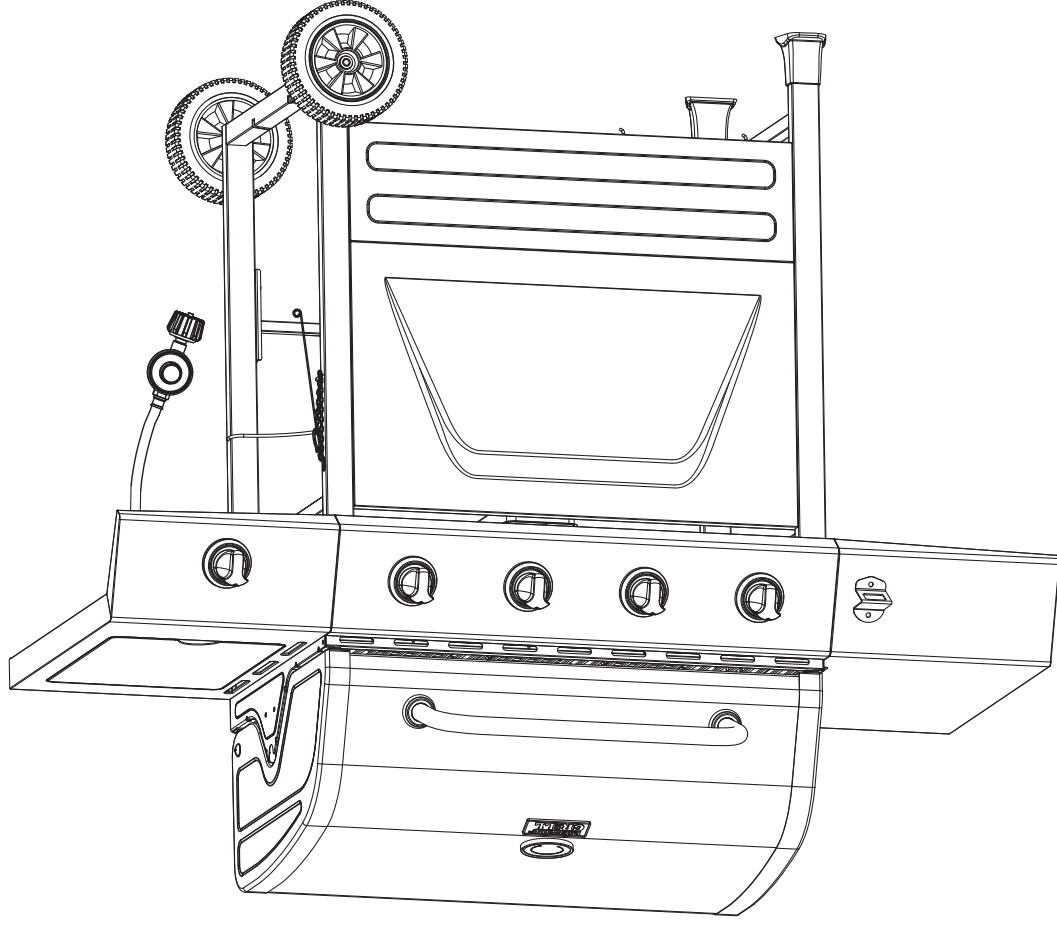


Table des matières

Consignes de sécurité importantes..... Page 2

Vue éclatée des pièces et quincaillerie..... 4

Instructions d'assemblage..... 5

Installer la bouteille de propane..... 10

Installation de la conduite principale d'alimentation en gaz naturel..... 10

Fonctionnement..... 10

Nettoyage et entretien..... 12

Garantie limitée..... 13

Guide de dépannage..... 14

L'utilisation et l'installation de cet appareil doivent être conformes aux codes locaux. En l'absence de codes locaux, suivez le Code national du gaz combustible, les normes ANSI Z223.1/NFPA 54, le Code d'installation B149.2, ou la norme pour véhicules récréatifs ANSI A 119.2/NFPA 1192, la réglementation CSA Z240 pour séries VR, et le Code sur les véhicules récréatifs selon le cas.

CE MANUEL D'UTILISATION CONTIENT DE L'INFORMATION IMPORTANTE CONCERNANT LA SÉCURITÉ. VEUILLEZ LIRE ET CONSERVER CE MANUEL AFIN DE POUVOIR LE CONSULTER ULTÉRIEUREMENT.

Si vous êtes en train d'assembler cet appareil pour une autre personne, veuillez lui fournir le manuel afin qu'elle puisse le consulter plus tard.

If you have questions or need assistance during assembly, please call 1-800-694-0013

Manufactured in China for: RevoAce Inc. Limited
Hong Kong, China



Trousse de conversion au gaz naturel (modèle n° VK1702W-C) disponible chez Walmart ou sur le site www.walmart.ca

- POUR VOTRE SÉCURITÉ:**
1. Toute installation défectueuse ou modification incorrecte ainsi que tout mauvais réglage ou entretien incorrect risque d'entraîner des blessures ou des dégâts matériels.
 2. Lire complètement les instructions d'installation, d'utilisation et d'entretien avant d'utiliser ou de procéder à l'entretien de l'appareil.
 3. Le non-respect de ces consignes risque de provoquer un incendie ou une explosion et d'entraîner des dégâts matériels, des blessures graves voire la mort.
 4. Ce manuel d'utilisation contient des consignes de sécurité indispensables au montage et au bon fonctionnement ce l'appareil.
 5. Lire et suivre toutes les mises en garde et instructions avant d'assembler et d'utiliser l'appareil.
 6. Suivre toutes les mises en garde et instructions lors de l'utilisation de l'appareil.
 7. Conserver ce manuel afin de pouvoir s'y référer ultérieurement.

AVERTISSEMENT

AVERTISSEMENT

- POUR VOTRE SÉCURITÉ:**
1. Ne pas entreposer ni utiliser de l'essence ni d'autres vapeurs ou liquides inflammables dans le voisinage de l'appareil, ni de tout autre appareil.
 2. Une bouteille de propane qui n'est pas raccordée en vue de son utilisation, ne doit pas être entreposée dans le voisinage de cet appareil ou de tout autre appareil.

DANGER

Ne jamais laisser cet appareil allumé sans surveillance.

DANGER

Si'il y a une odeur de gaz:

1. Coupez l'admission de gaz de l'appareil.
2. Éteindre toute flamme nue.
3. Ouvrir le couvercle.
4. Si l'odeur persiste, éloignez-vous de l'appareil et appelez immédiatement le fournisseur de gaz ou le service d'incendie.

AVERTISSEMENT

POUR VOTRE SÉCURITÉ:
Pour usage à l'extérieur seulement
(hors de tout abri clos)